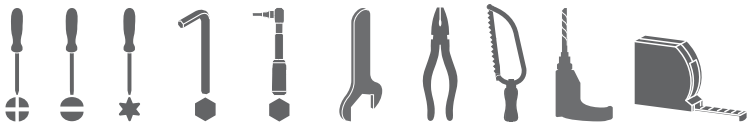


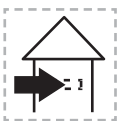
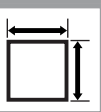
Rollan



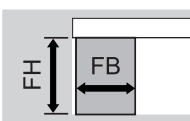
160366-03



T20 2 mm 3 mm 5 mm
 3 mm 5 mm 13 mm



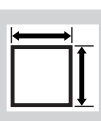
EN 1527
 EN 1670



$FH / FB \leq 3:1$



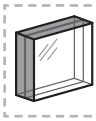
40/80 kg



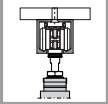


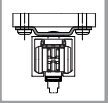


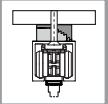


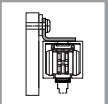


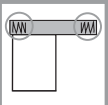


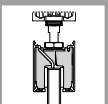


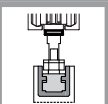


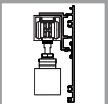


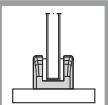





[mm]



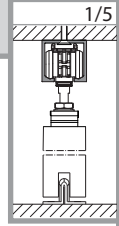
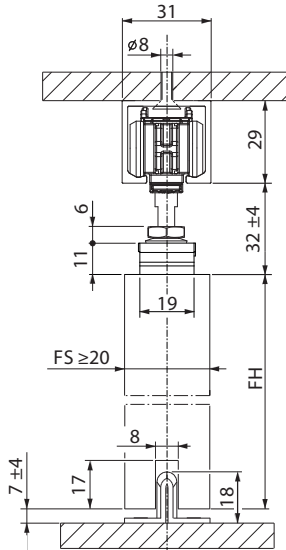
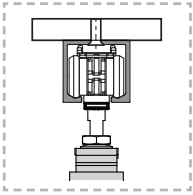
ESG/TSG
 EN 12150



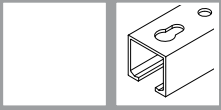
VSG/LSG
 EN 12543
 2x ESG/TSG

i			
i+ A			
i+ B			
i+ C			
i+ D			
i+ E			
i+ F			
i+ G			
i+ H			
I			

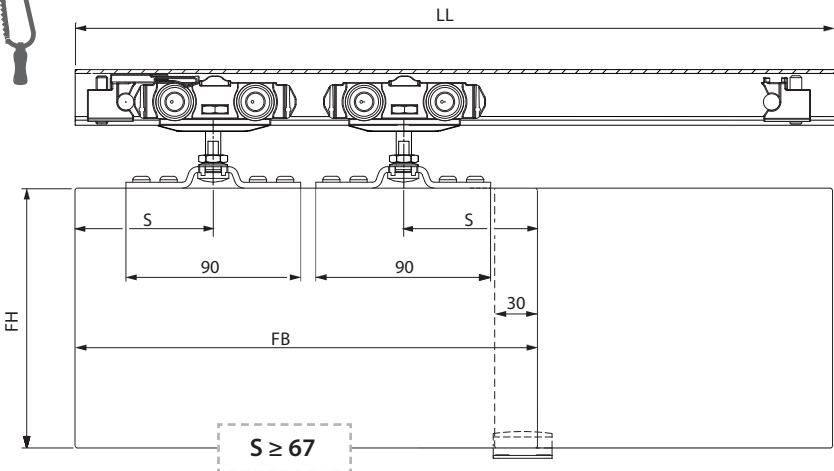
i



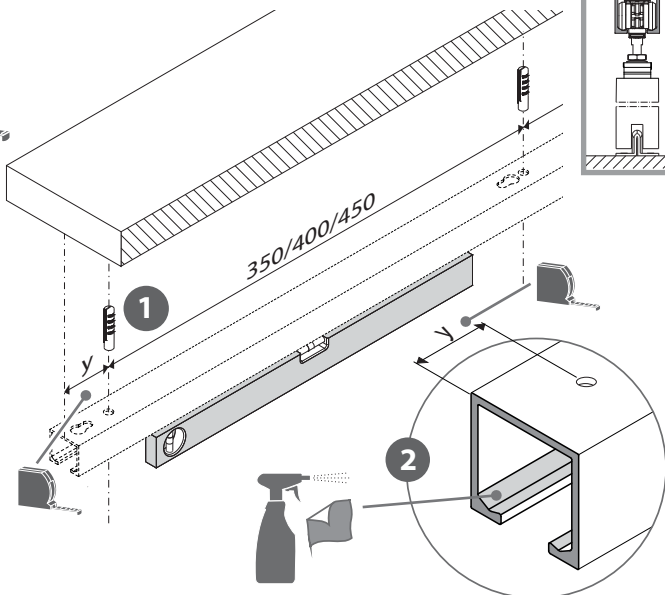
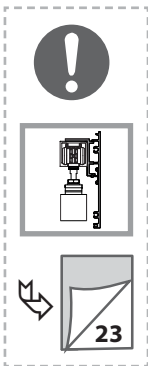
1



LL = 2 * FB - 30

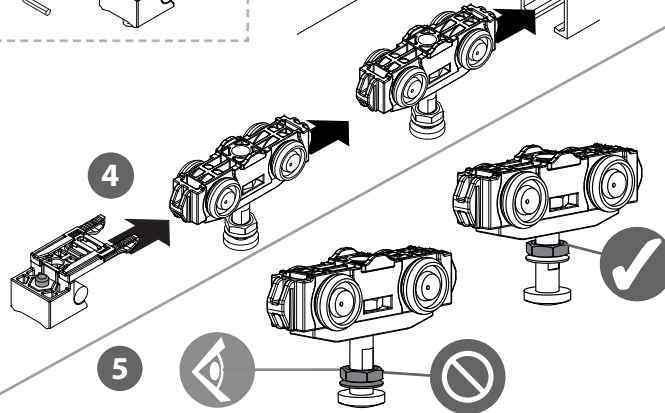
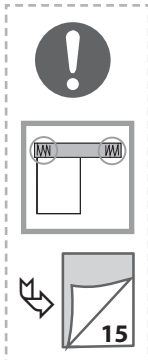
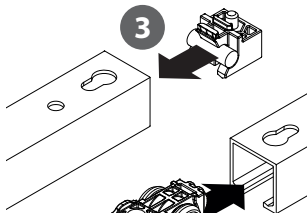
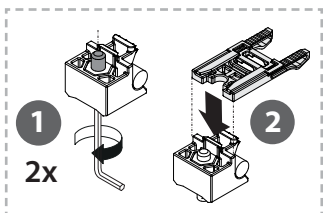


2

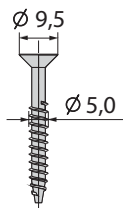
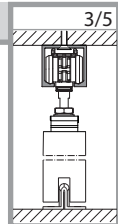
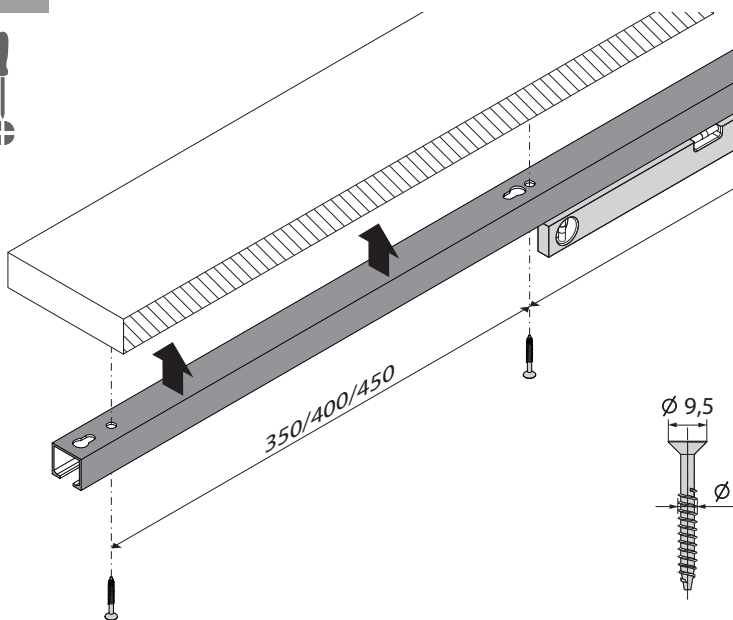


2/5

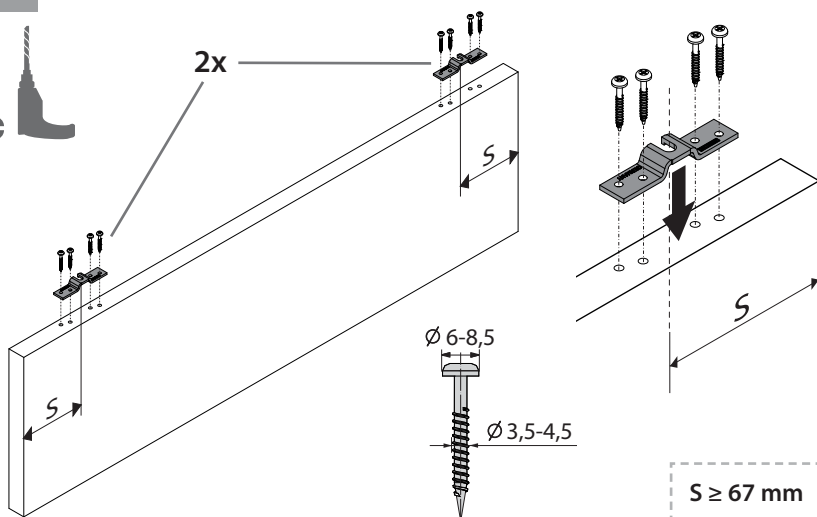
3



4



5



$S \geq 67 \text{ mm}$

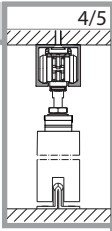
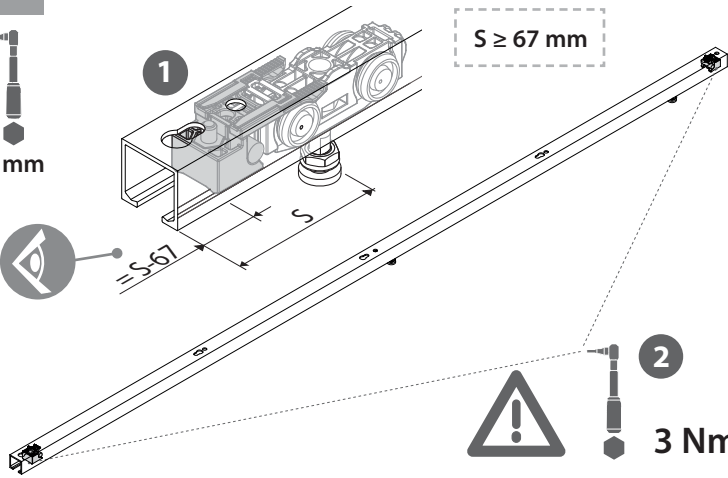
6



3 mm

1

$S \geq 67 \text{ mm}$

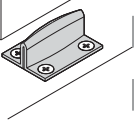
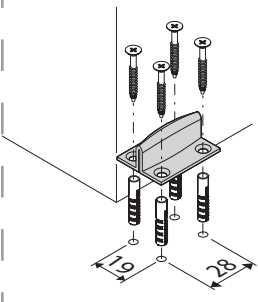
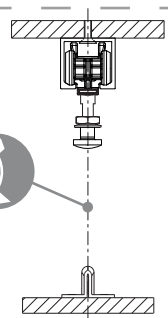
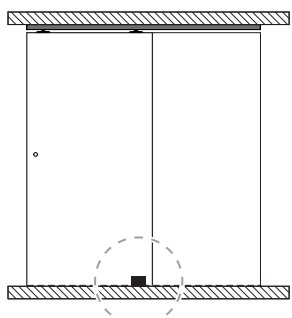
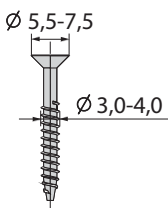


2



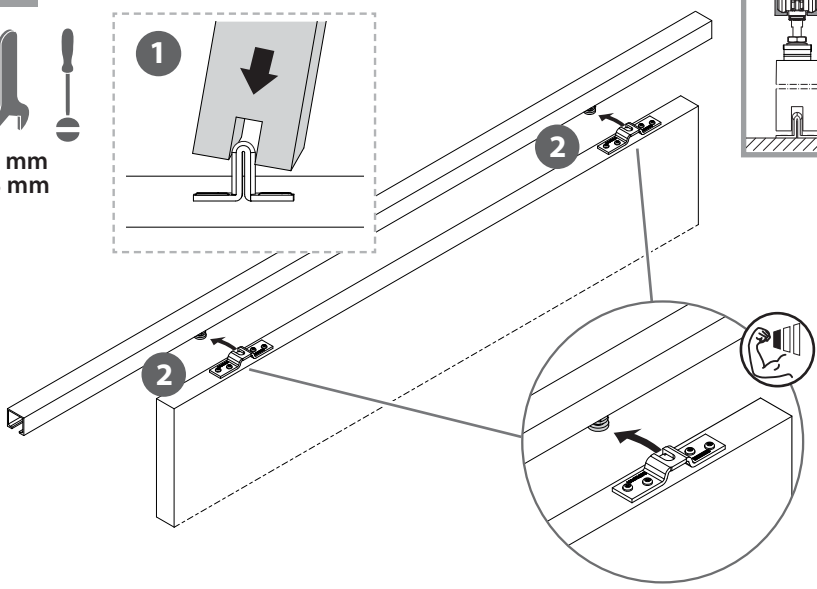
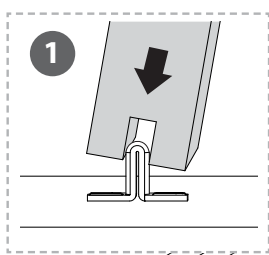
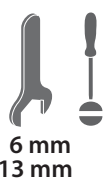
3 Nm

7

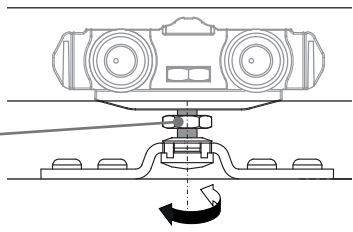
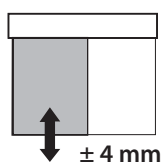


8

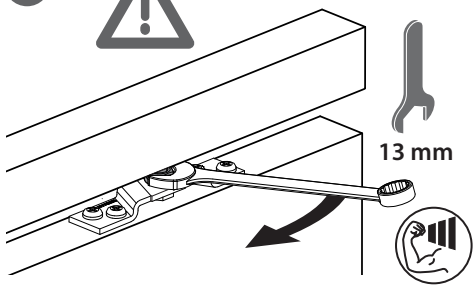
5/5



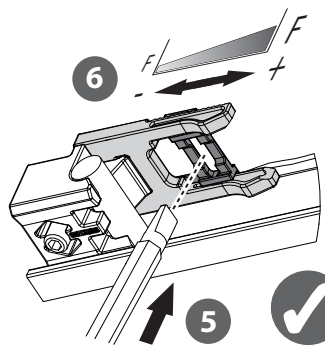
3

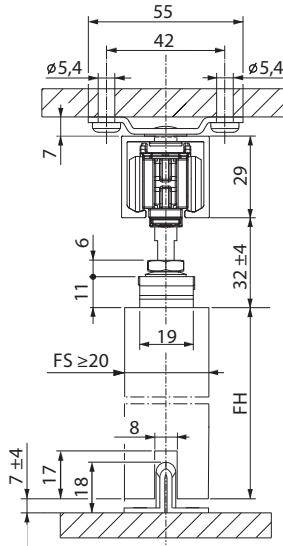
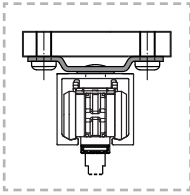
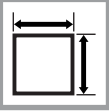
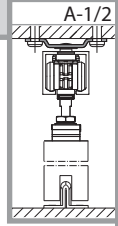
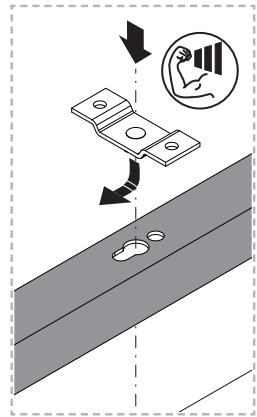
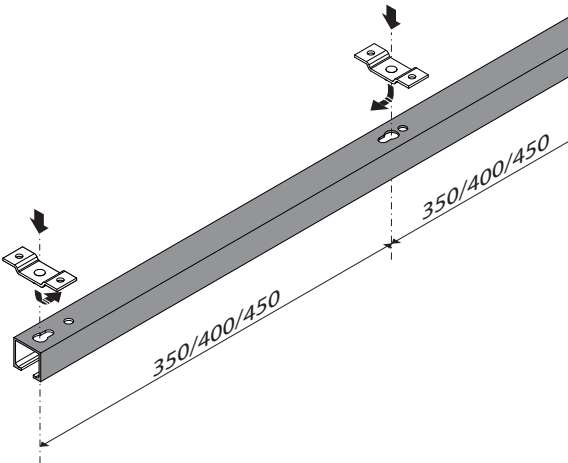


4

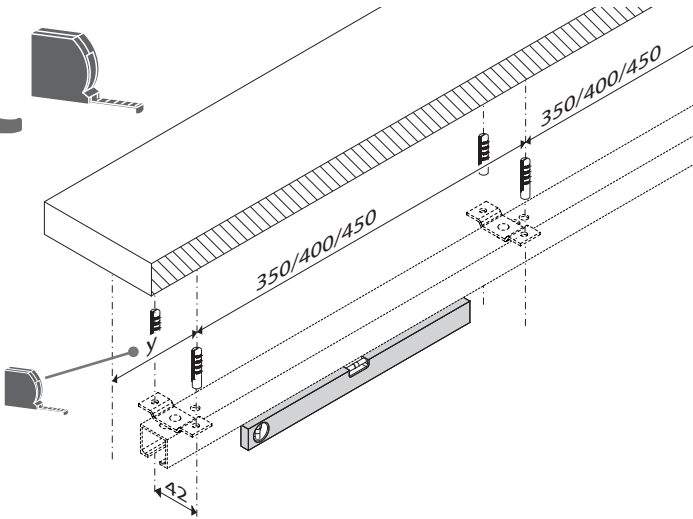


6

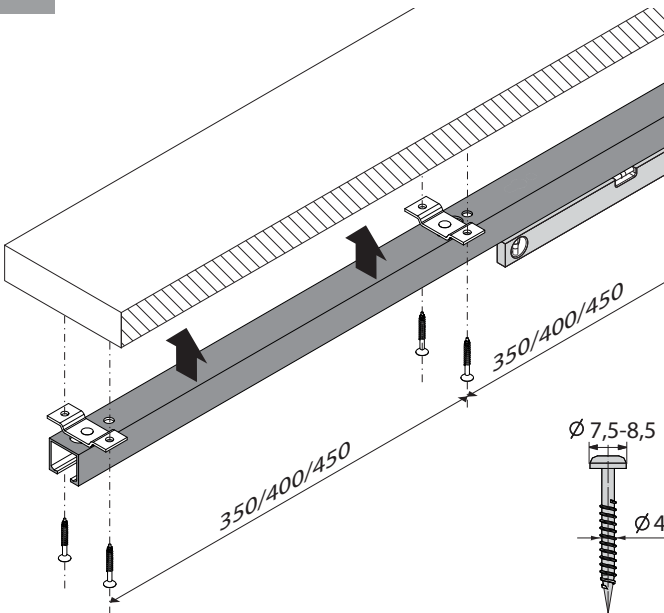


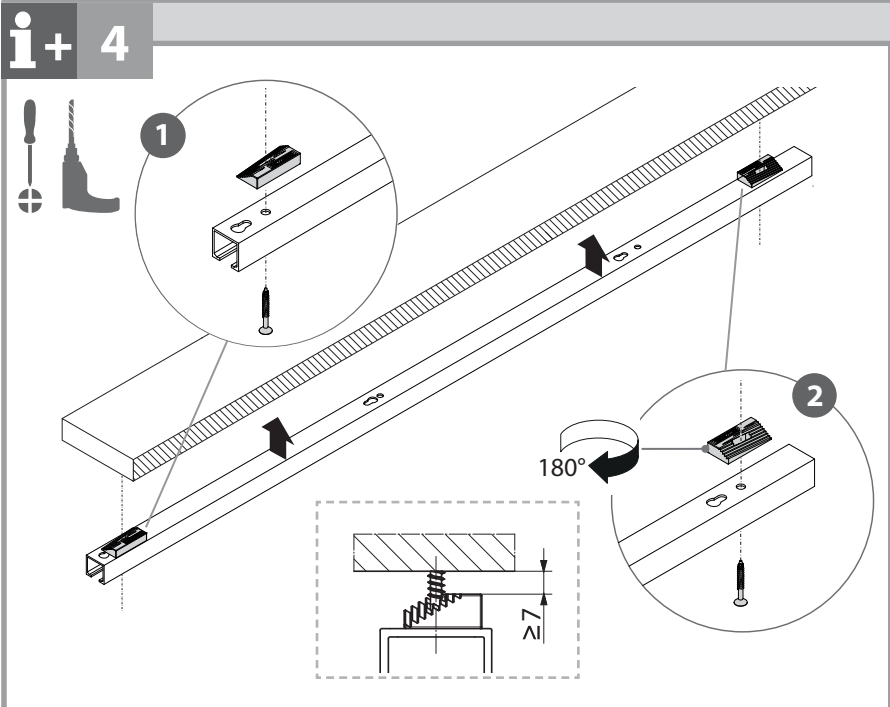
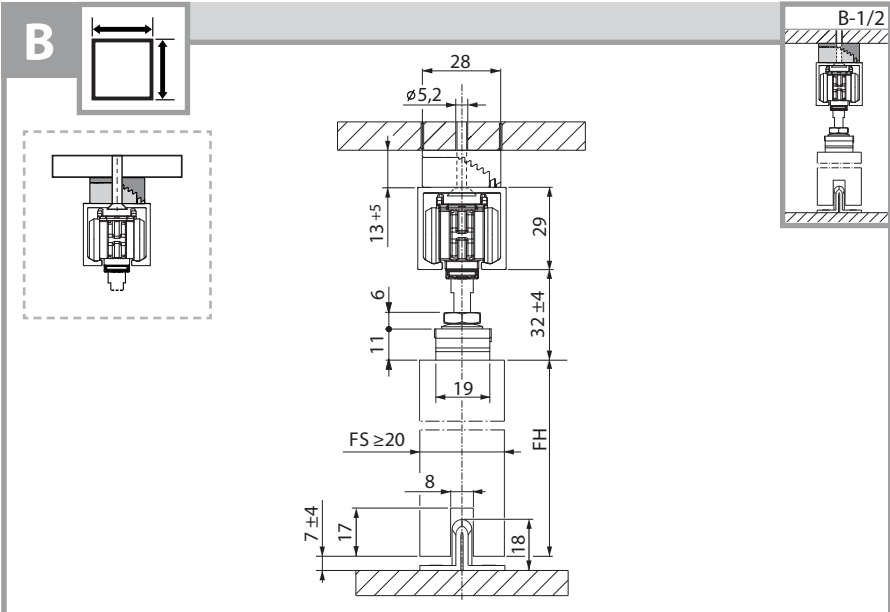
A**A-1/2****i+ 1**

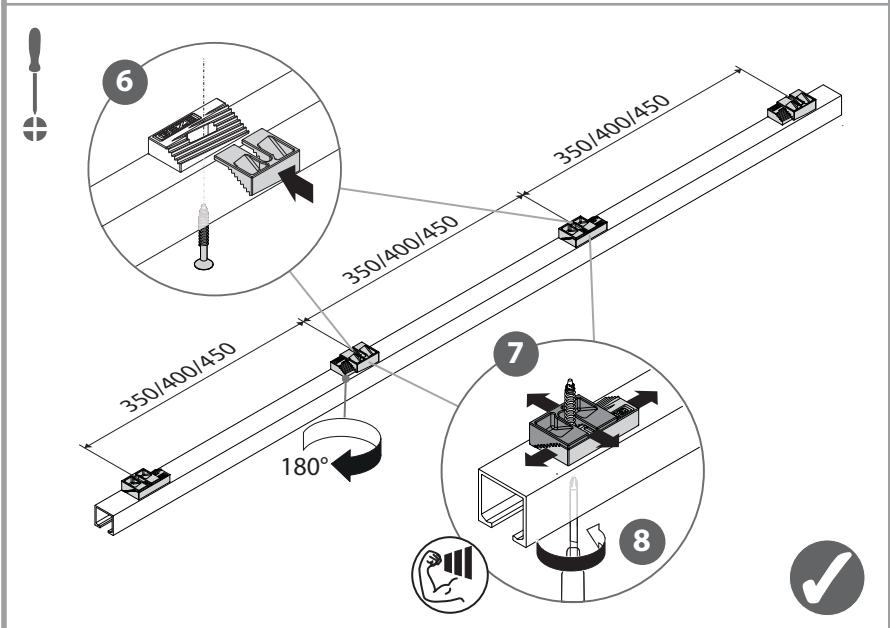
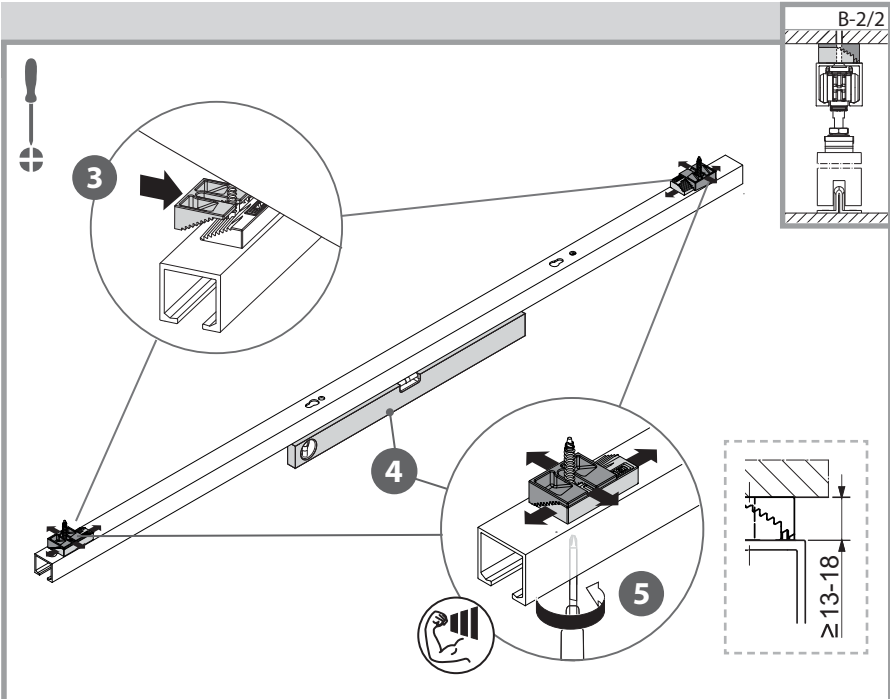
i+ 2



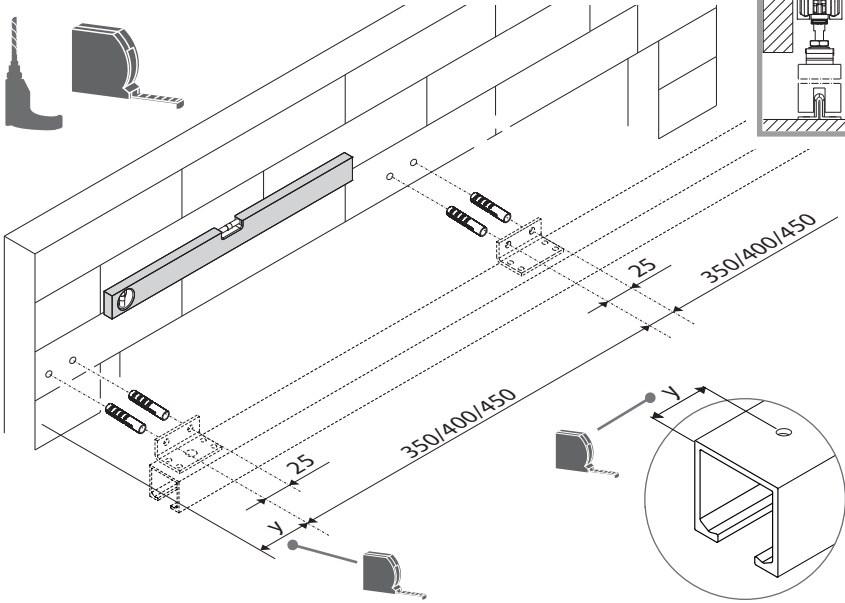
i+ 4





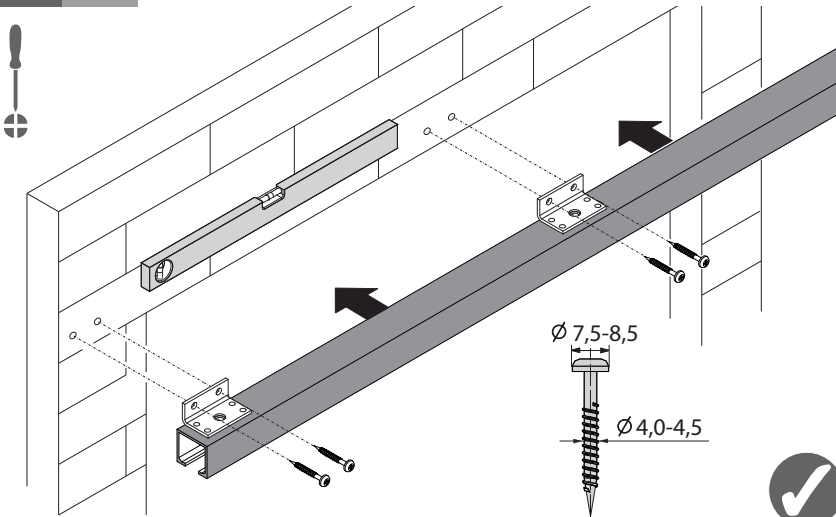


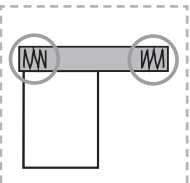
i+ 2



C-2/2

i+ 4

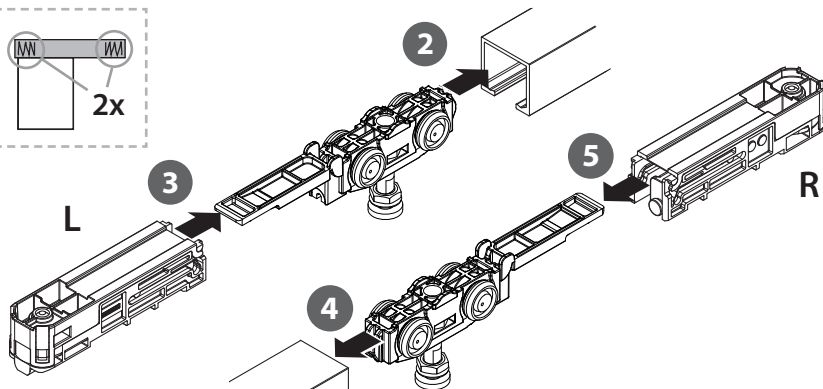
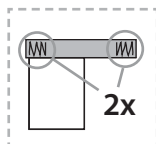
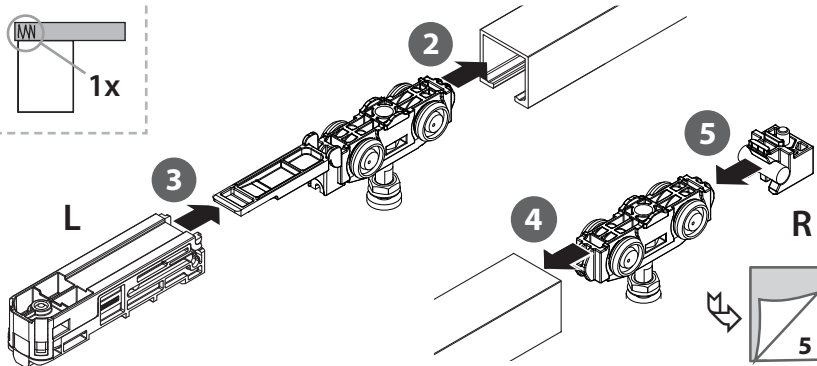
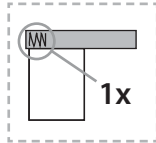
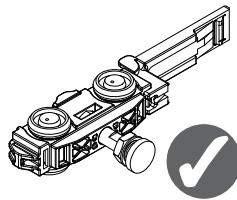
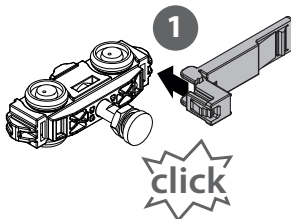
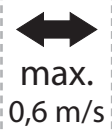




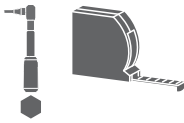
Rollan 40 NT



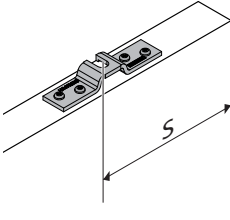
Rollan 80 NT



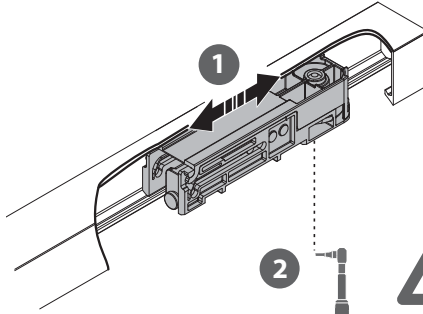
i+ **6**



3 mm



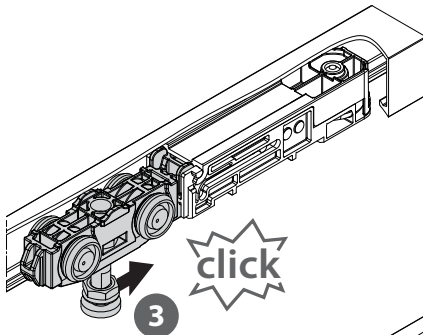
$S \geq 146 \text{ mm}$



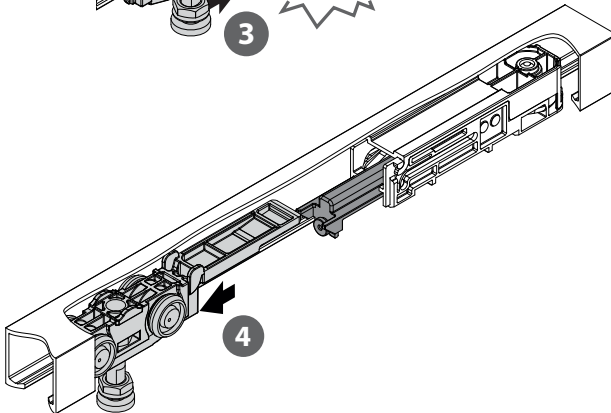
2



3 Nm



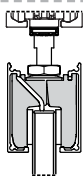
3



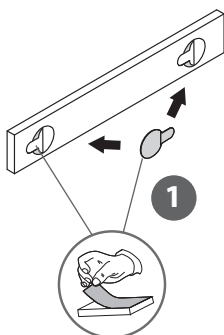
4

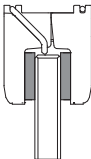
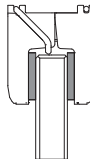
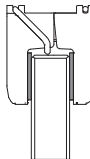



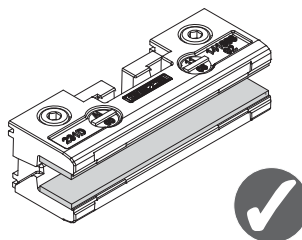
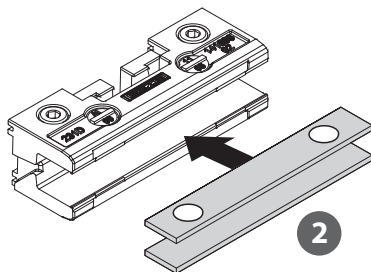
E i+ 5



ESG/TSG
EN 12150



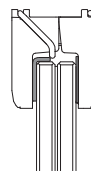
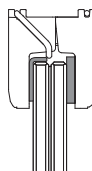
		
 2x3 mm ESG/TSG 8 mm	2x2 mm ESG/TSG 10 mm	2x1 mm ESG/TSG 12 mm




VSG/LSG
EN 12543
2x ESG/TSG

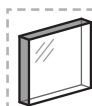


ID 133034

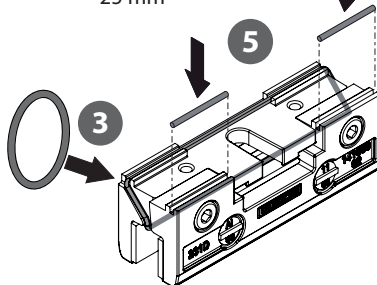
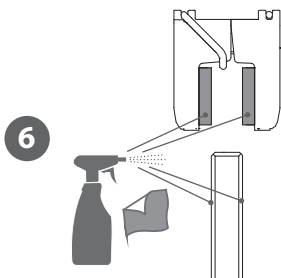
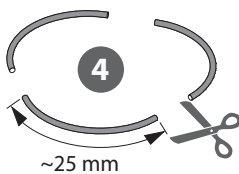


1x 
1x 3 mm
VSG/LSG
8,76 mm

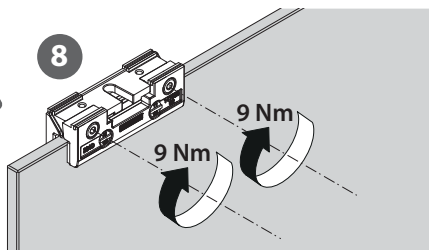
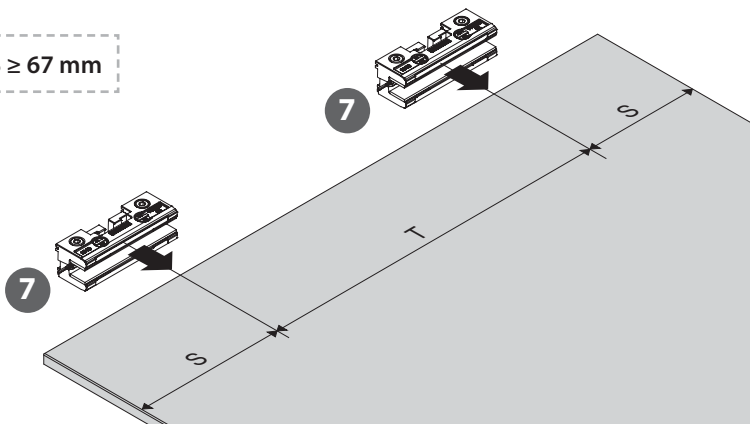
1x 
1x 2 mm
VSG/LSG
10,76 mm



ESG/TSG
EN 12150



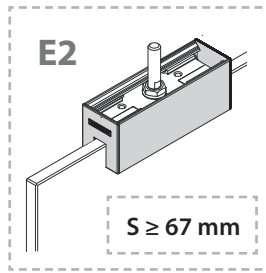
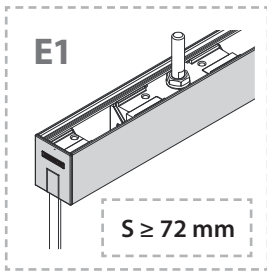
$S \geq 67 \text{ mm}$



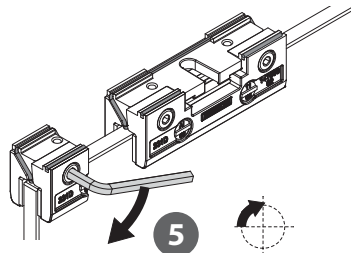
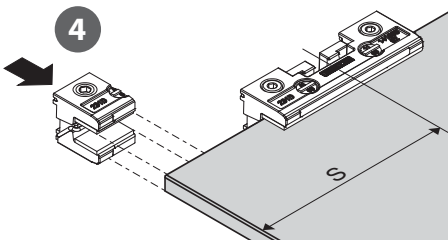
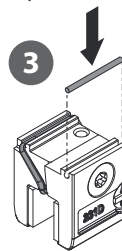
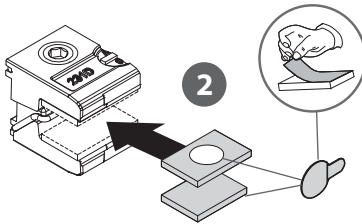
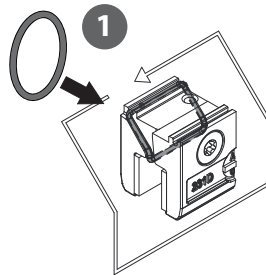
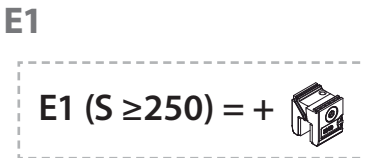
T =



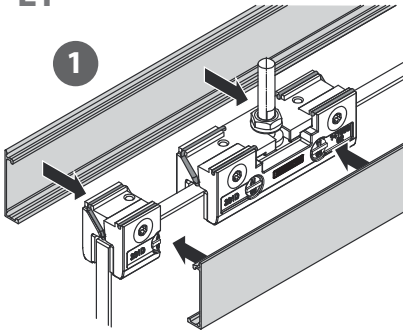
i+



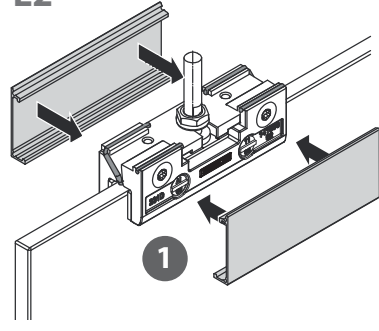
i+ 2



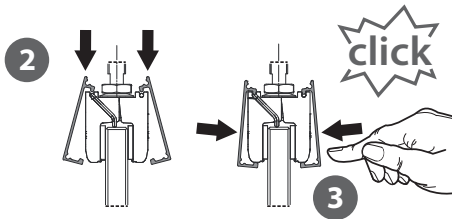
E1



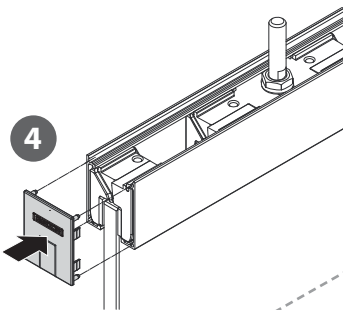
E2



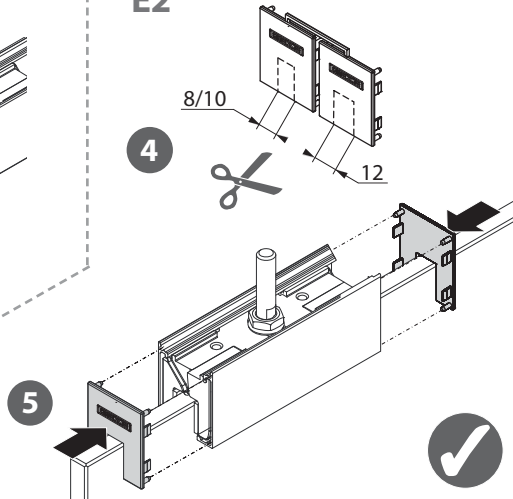
E1,E2

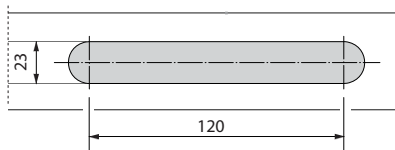
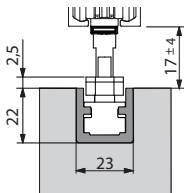
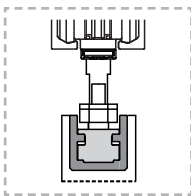
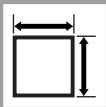
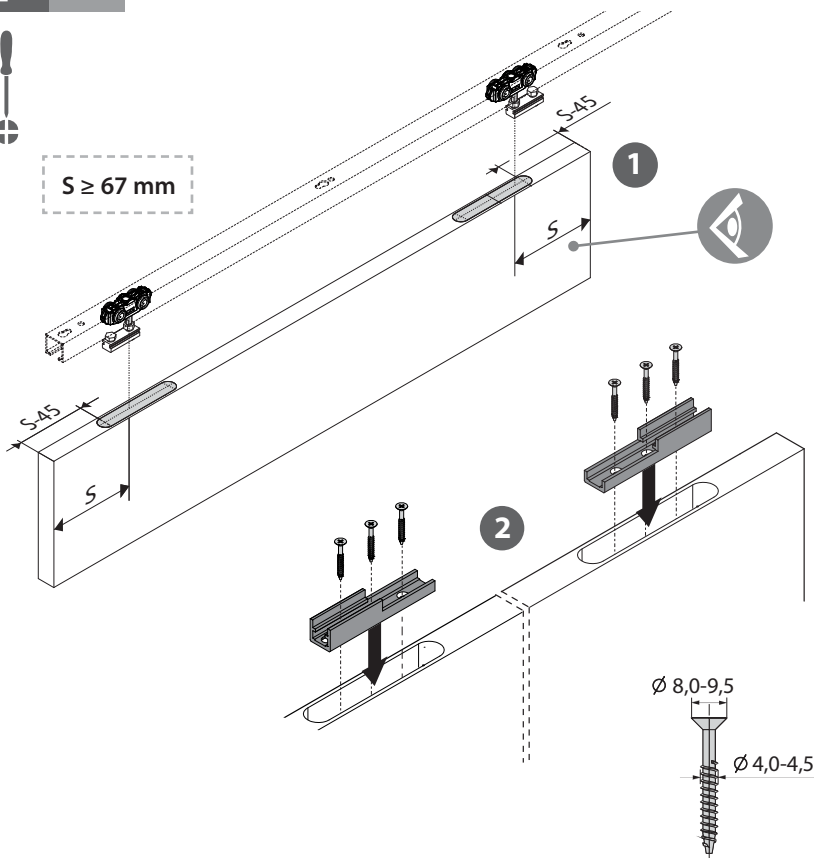


E1



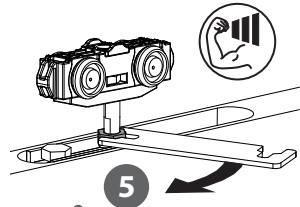
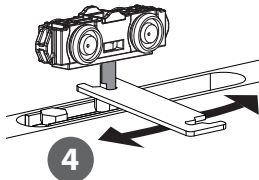
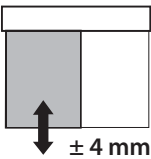
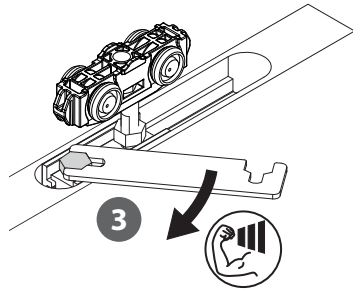
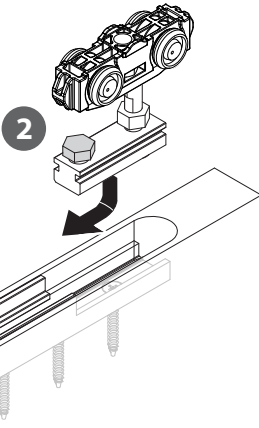
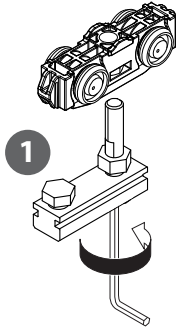
E2

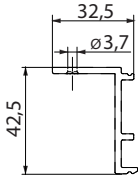
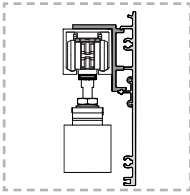
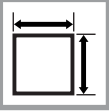
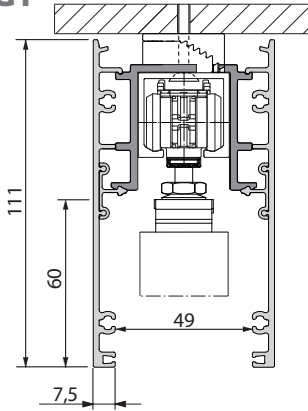
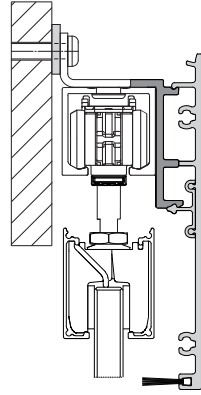
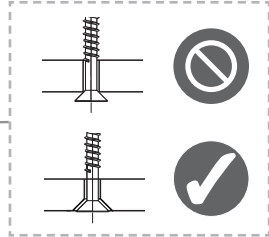
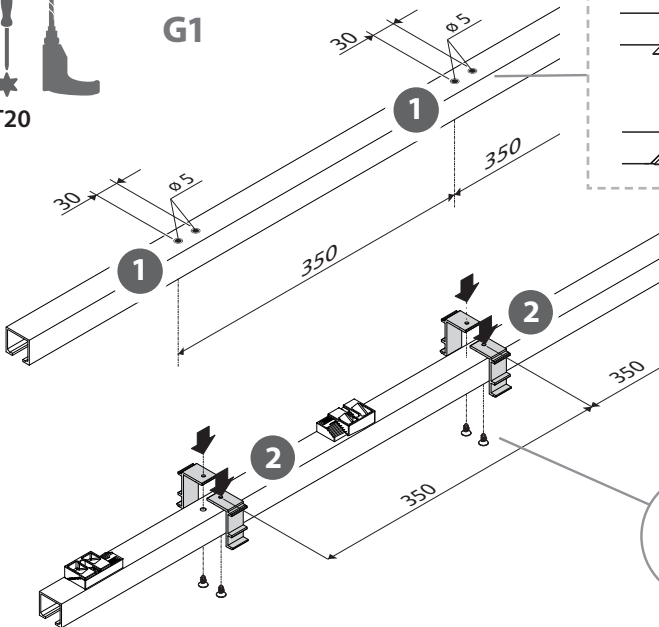


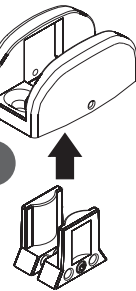
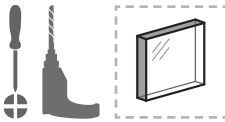
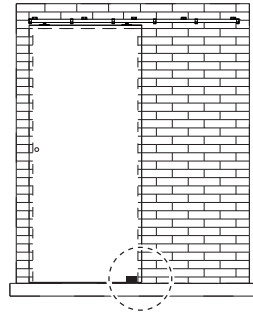
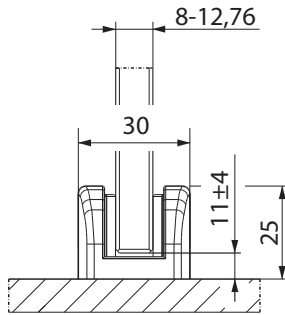
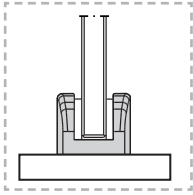
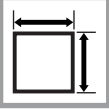
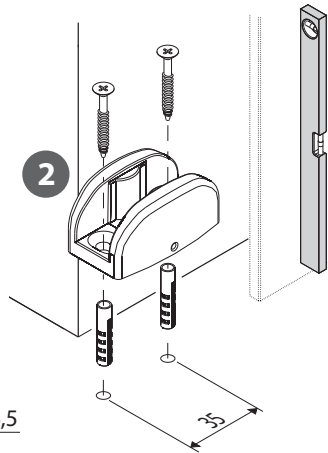
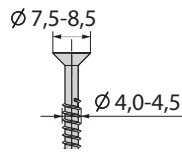
F**i+ 2** $S \geq 67 \text{ mm}$ 

i+ 7

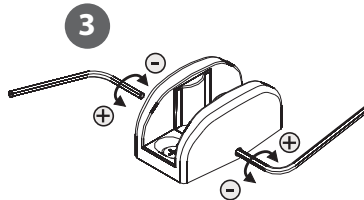
5 mm

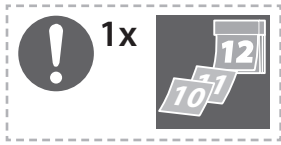
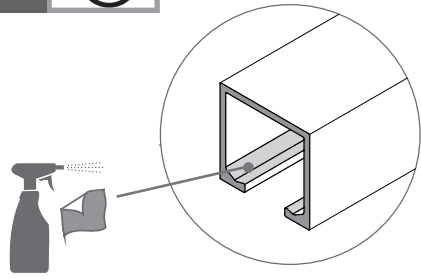
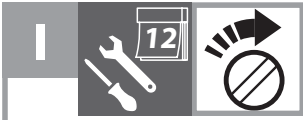


G**G1****G2****i+ 2****T20****G1**

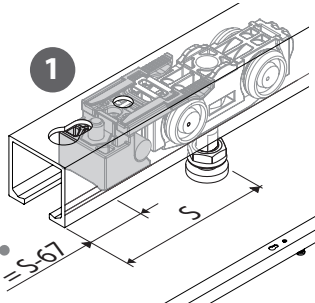
H**1****2**

2 mm

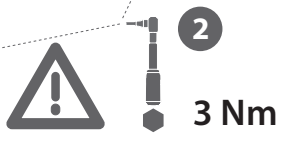
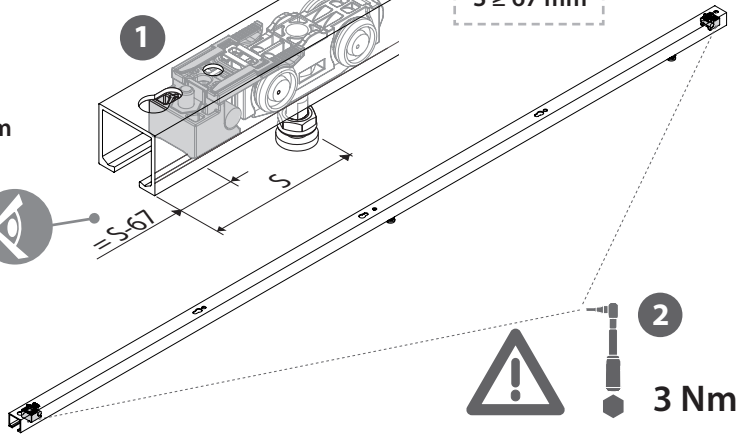
**3**



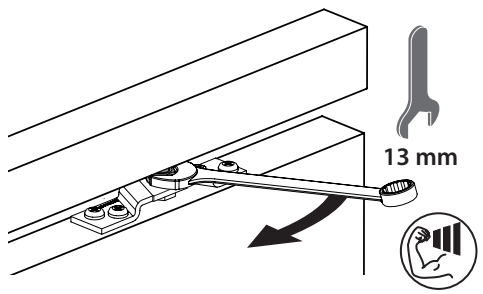
i+ 6



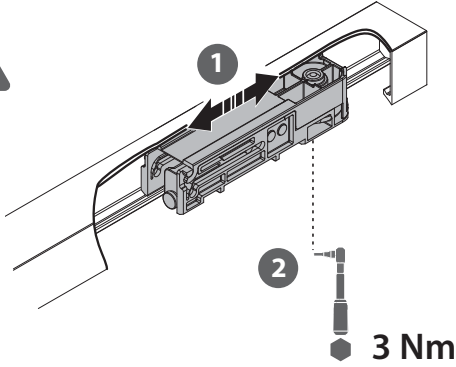
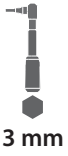
$S \geq 67 \text{ mm}$



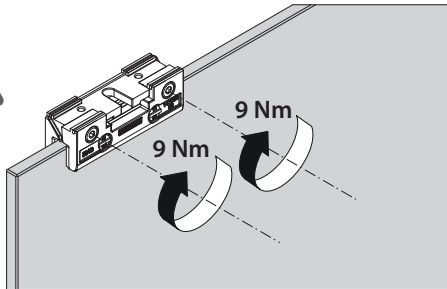
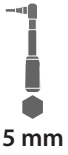
i+ 8



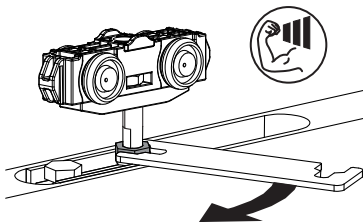
i+ D



i+ E



i+ F



Germany

GEZE GmbH
Niederlassung Süd-West
Tel. +49 (0) 7152 203 594
E-Mail: leonberg.de@geze.com

GEZE GmbH
Niederlassung Süd-Ost
Tel. +49 (0) 7152 203 6440
E-Mail: muenchen.de@geze.com

GEZE GmbH
Niederlassung Ost
Tel. +49 (0) 7152 203 6840
E-Mail: berlin.de@geze.com

GEZE GmbH
Niederlassung Mitte/Luxemburg
Tel. +49 (0) 7152 203 6888
E-Mail: frankfurt.de@geze.com

GEZE GmbH
Niederlassung West
Tel. +49 (0) 7152 203 6770
E-Mail: duesseldorf.de@geze.com

GEZE GmbH
Niederlassung Nord
Tel. +49 (0) 7152 203 6600
E-Mail: hamburg.de@geze.com

GEZE Service GmbH
Tel. +49 (0) 1802 923392
E-Mail: service-info.de@geze.com

Austria

GEZE Austria
E-Mail: austria.at@geze.com
www.geze.at

Baltic States

GEZE GmbH Baltic States office
E-Mail: office-latvia@geze.com
www.geze.com

Benelux

GEZE Benelux B.V.
E-Mail: benelux.nl@geze.com
www.geze.be
www.geze.nl

Bulgaria

GEZE Bulgaria - Trade
E-Mail: office-bulgaria@geze.com
www.geze.bg

China

GEZE Industries (Tianjin) Co., Ltd.
E-Mail: chinasales@geze.com.cn
www.geze.com.cn

GEZE Industries (Tianjin) Co., Ltd.
Branch Office Shanghai
E-Mail: chinasales@geze.com.cn
www.geze.com.cn

GEZE Industries (Tianjin) Co., Ltd.
Branch Office Guangzhou
E-Mail: chinasales@geze.com.cn
www.geze.com.cn

GEZE Industries (Tianjin) Co., Ltd.
Branch Office Beijing
E-Mail: chinasales@geze.com.cn
www.geze.com.cn

France

GEZE France S.A.R.L.
E-Mail: france.fr@geze.com
www.geze.fr

Hungary

GEZE Hungary Kft.
E-Mail: office-hungary@geze.com
www.geze.hu

Iberia

GEZE Iberia S.R.L.
E-Mail: info@geze.es
www.geze.es

India

GEZE India Private Ltd.
E-Mail: office-india@geze.com
www.geze.in

Italy

GEZE Italia S.r.l.
E-Mail: italia.it@geze.com
www.geze.it

GEZE Engineering Roma S.r.l.
E-Mail: roma@geze.biz
www.geze.it

Poland

GEZE Polska Sp.z o.o.
E-Mail: geze.pl@geze.com
www.geze.pl

Romania

GEZE Romania S.R.L.
E-Mail: office-romania@geze.com
www.geze.ro

Russia

OOO GEZE RUS
E-Mail: office-russia@geze.com
www.geze.ru

Scandinavia – Sweden

GEZE Scandinavia AB
E-Mail: sverige.se@geze.com
www.geze.se

Scandinavia – Norway

GEZE Scandinavia AB avd. Norge
E-Mail: norge.se@geze.com
www.geze.no

Scandinavia – Denmark

GEZE Danmark
E-Mail: danmark.se@geze.com
www.geze.dk

Singapore

GEZE (Asia Pacific) Pte, Ltd.
E-Mail: gezesea@geze.com.sg
www.geze.com

South Africa

GEZE South Africa (Pty) Ltd.
E-Mail: info@gezesa.co.za
www.geze.co.za

Switzerland

GEZE Schweiz AG
E-Mail: schweiz.ch@geze.com
www.geze.ch

Turkey

GEZE Kapı ve Pencere Sistemleri
E-Mail: office-turkey@geze.com
www.geze.com

Ukraine

LLC GEZE Ukraine
E-Mail: office-ukraine@geze.com
www.geze.ua

United Arab Emirates/GCC

GEZE Middle East
E-Mail: gezeme@geze.com
www.geze.ae

United Kingdom

GEZE UK Ltd.
E-Mail: info.uk@geze.com
www.geze.com

GEZE GmbH

Reinhold-Vöster-Straße 21–29
71229 Leonberg
Germany

Tel.: 0049 7152 203 0
Fax: 0049 7152 203 310
www.geze.com

