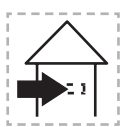
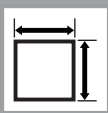
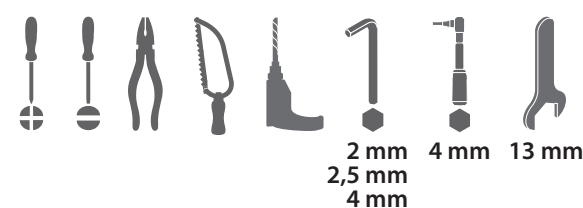


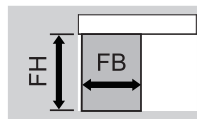
## Levolan 60



146384-04



EN 1527  
EN 1670

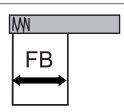
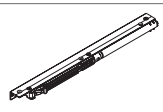


$FH : FB \leq 3:1$



60 kg

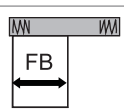
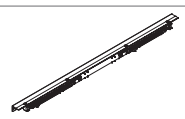
Levolan 60 SoftStop



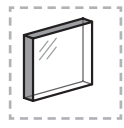
FB [mm]

$\geq 570$

Levolan SoftStopDuo

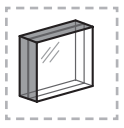


$\geq 770$



=

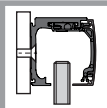
ESG/TSG  
EN 12150



=

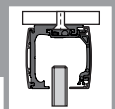
VSG/LSG  
EN 12543  
2x ESG/TSG

**i**



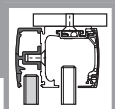
**i+**

**A**



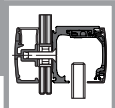
**i+**

**B**



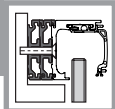
**i+**

**C**



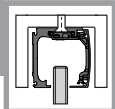
**i+**

**D**



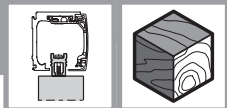
**i+**

**E**



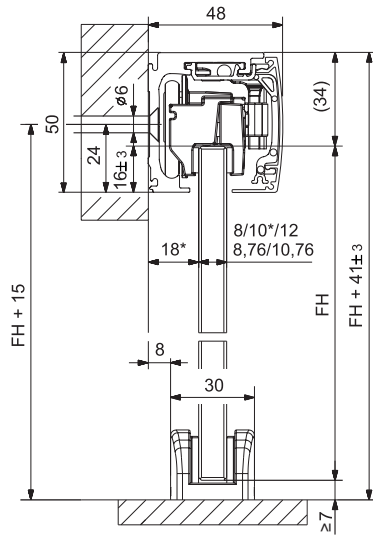
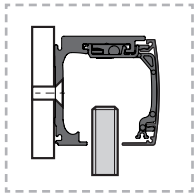
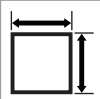
**i+**

**F**

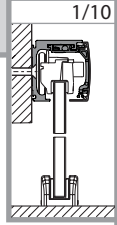


**G**

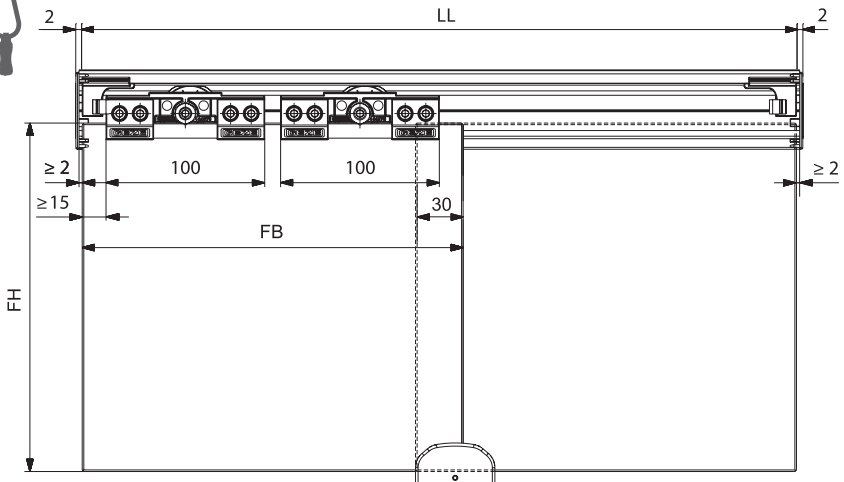


**i**

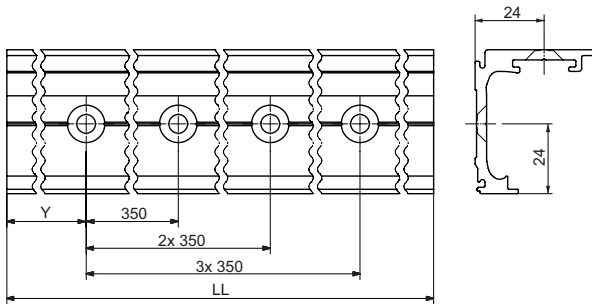
1/10

**1**

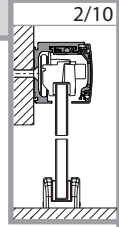
$$LL = 2 * FB - 30 + 4$$







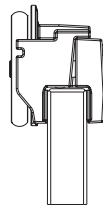
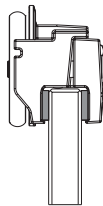
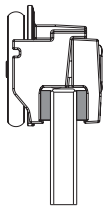
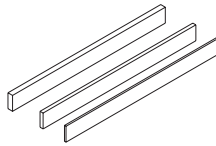
LL		Y
1650	5x	125
2050	6x	150
2450	7x	175
6000	18x	25



2



**ESG/TSG**  
EN 12150



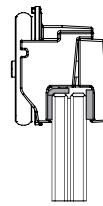
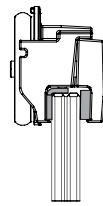
2x3 mm  
ESG 8 mm

2x2 mm  
ESG 10 mm

2x1 mm  
ESG 12 mm

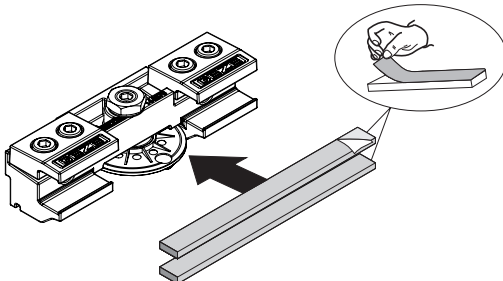


**VSG/LSG**  
EN 12543  
2x ESG/TSG



1x  
1x 3 mm  
VSG 8,76 mm

1x  
1x 2 mm  
VSG 10,76 mm



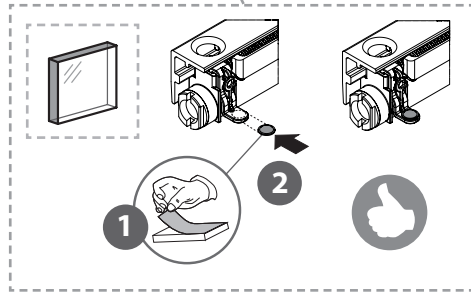
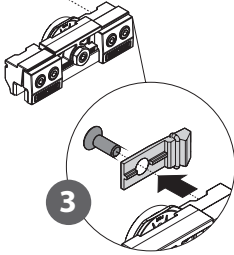
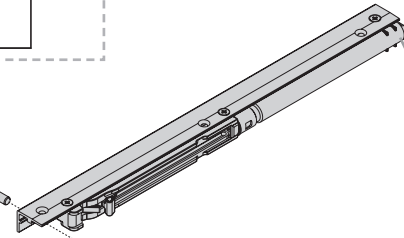
**ID 133034**

3



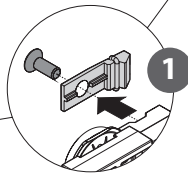
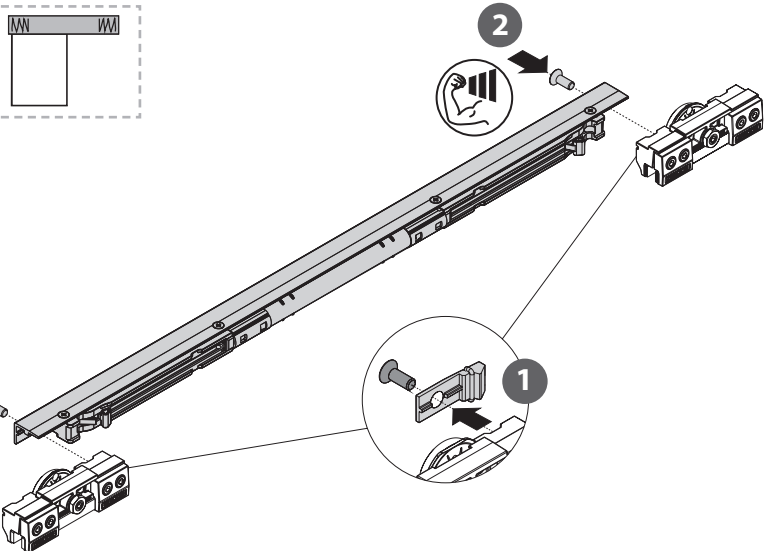
4 mm

4

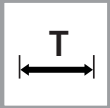



4 mm

2



4

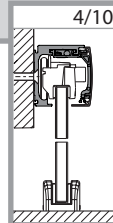


4 mm

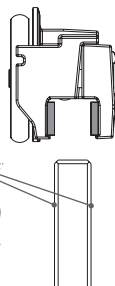


ESG/TSG  
EN 12150

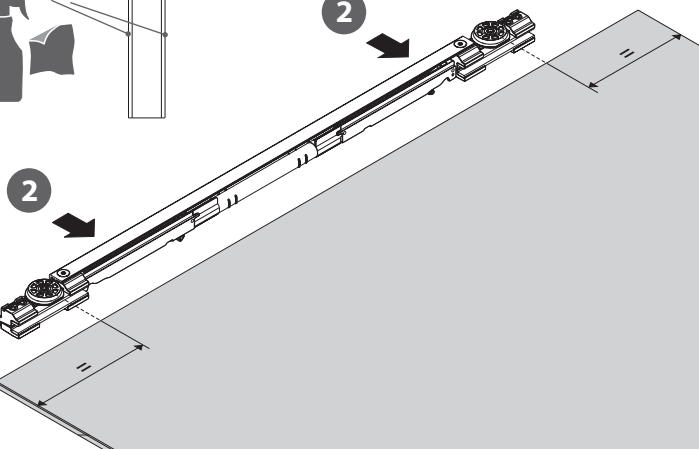
4/10



1



2



2

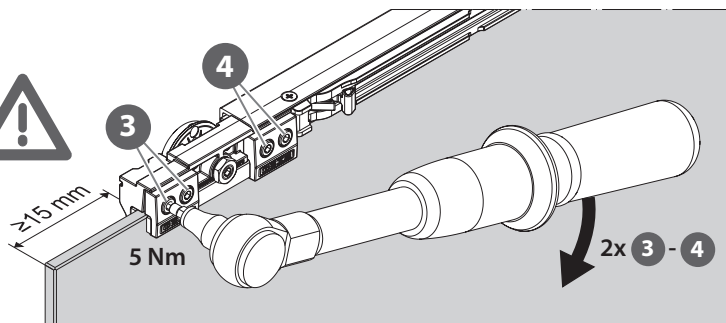


$\geq 15$  mm

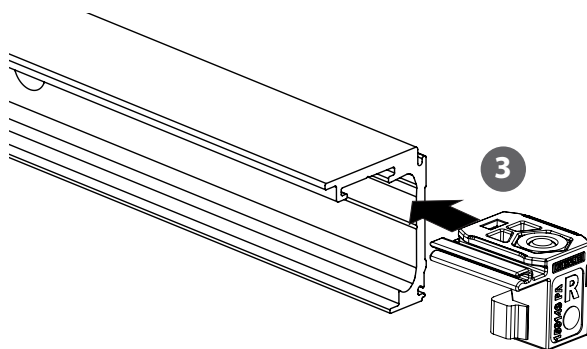
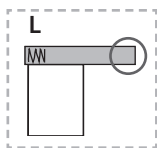
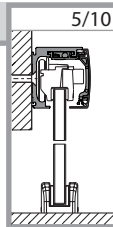
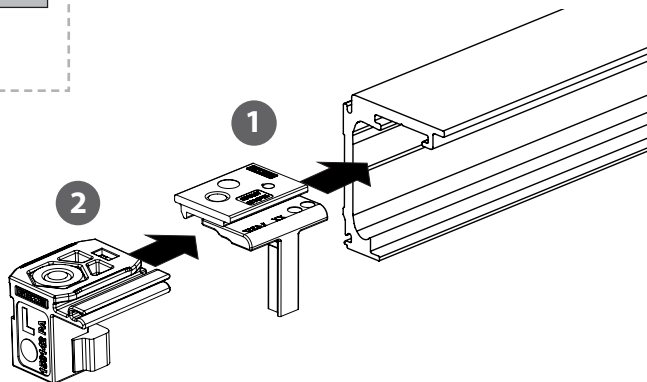
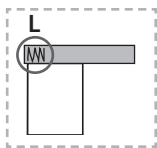
3

4

5 Nm



2x 3 - 4



6

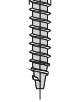
6/10




$\varnothing 9,5-12 \text{ mm}$

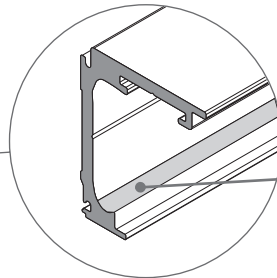
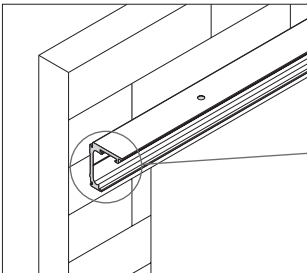
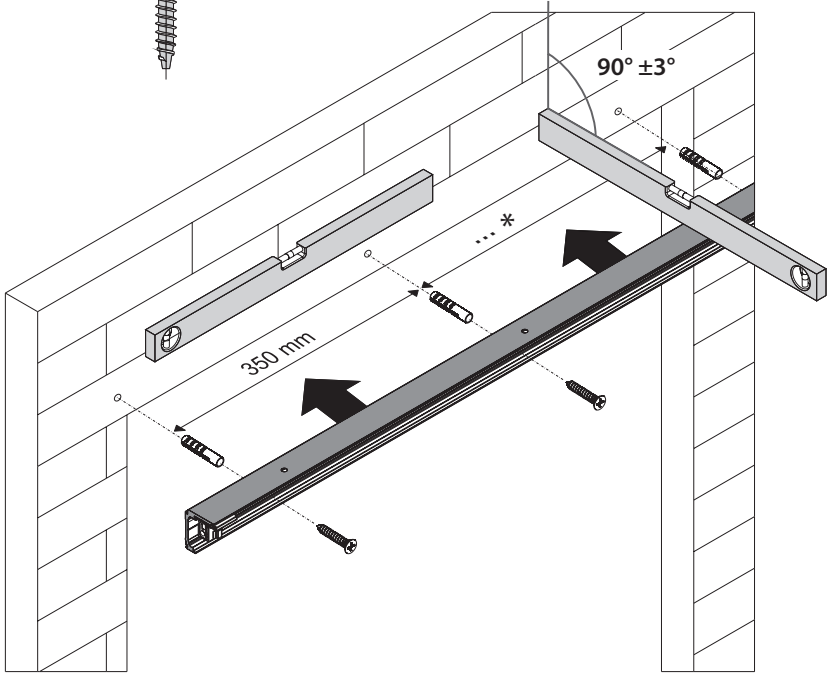
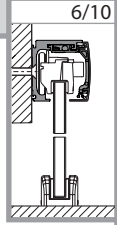


$\varnothing 4,5-6,0 \text{ mm}$



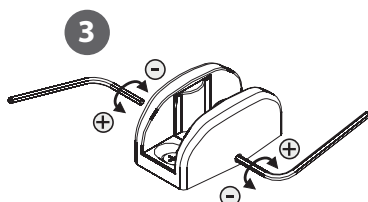
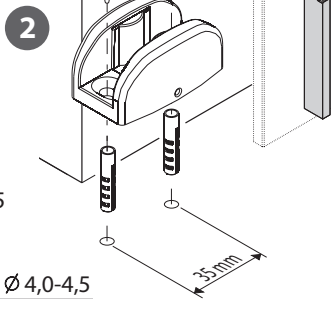
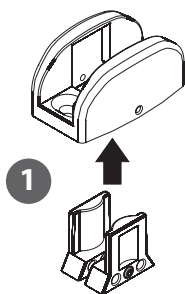
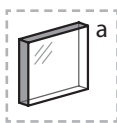
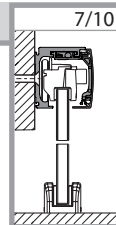
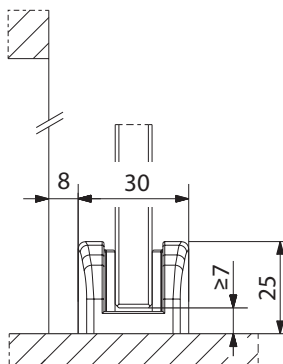
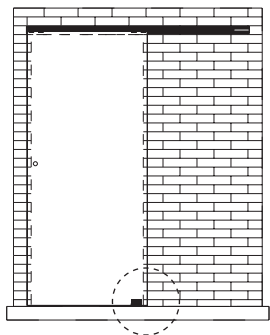
\*

+  / 350 mm



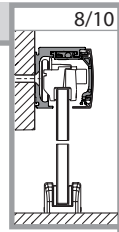
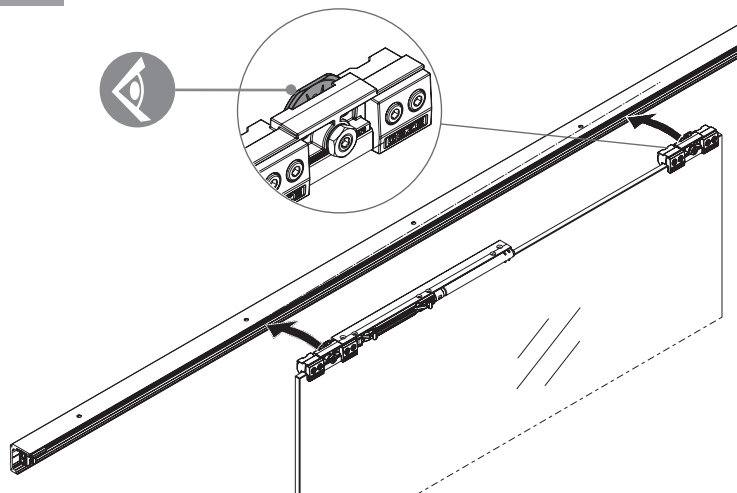
7

7/10

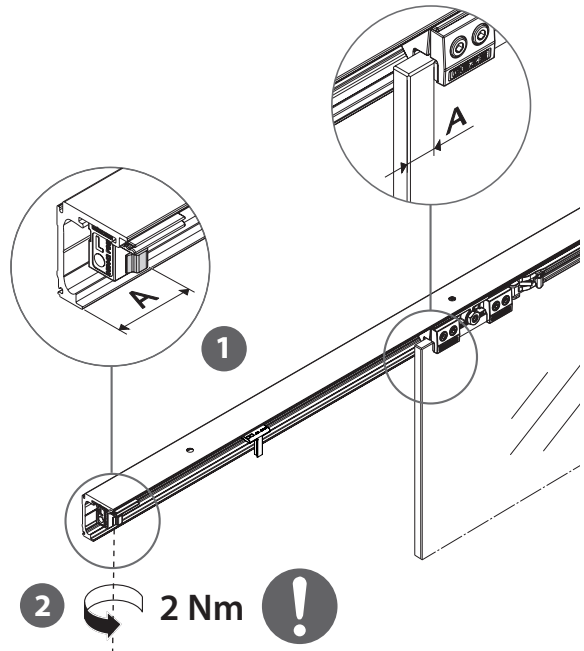


8

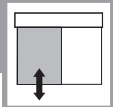
8/10



9

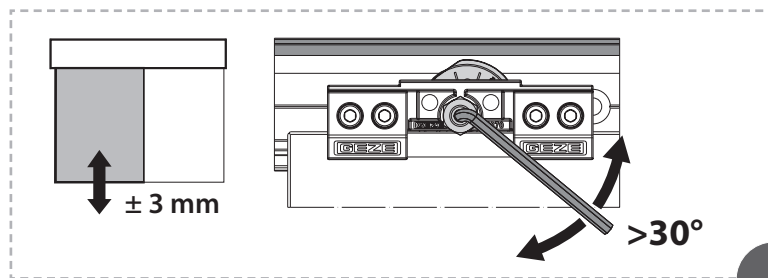
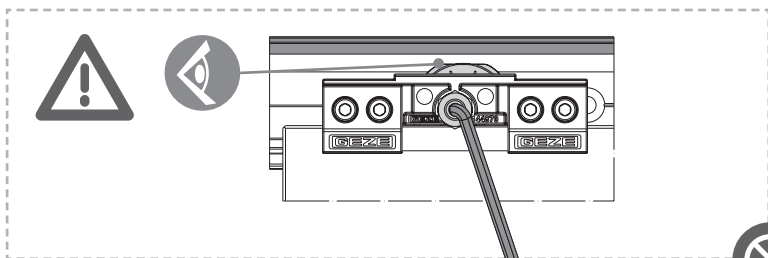
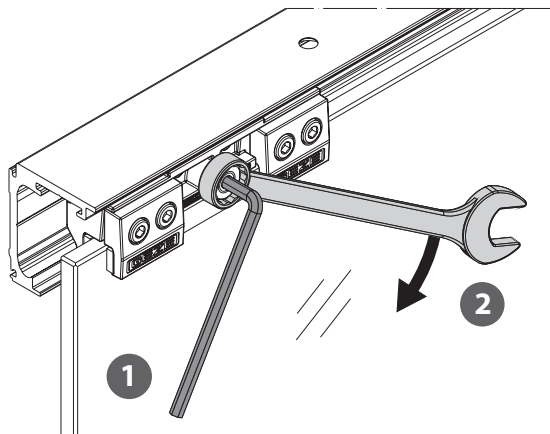
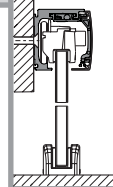


10

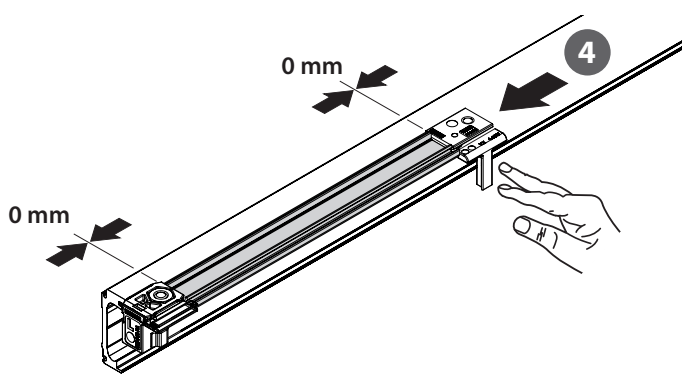
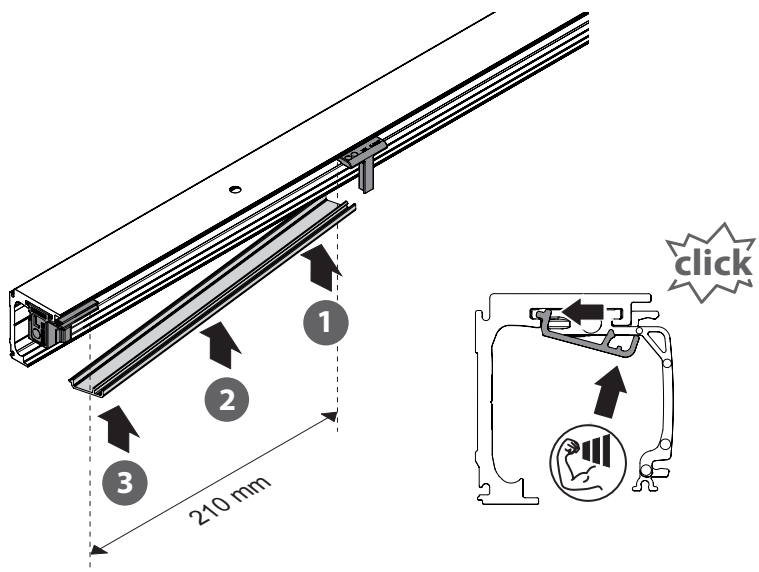


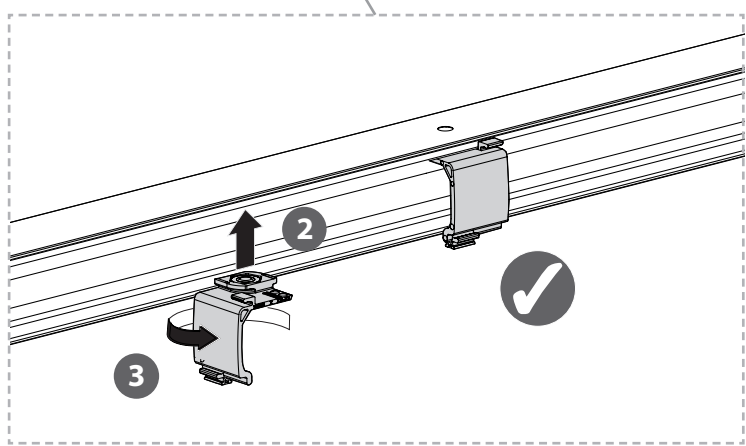
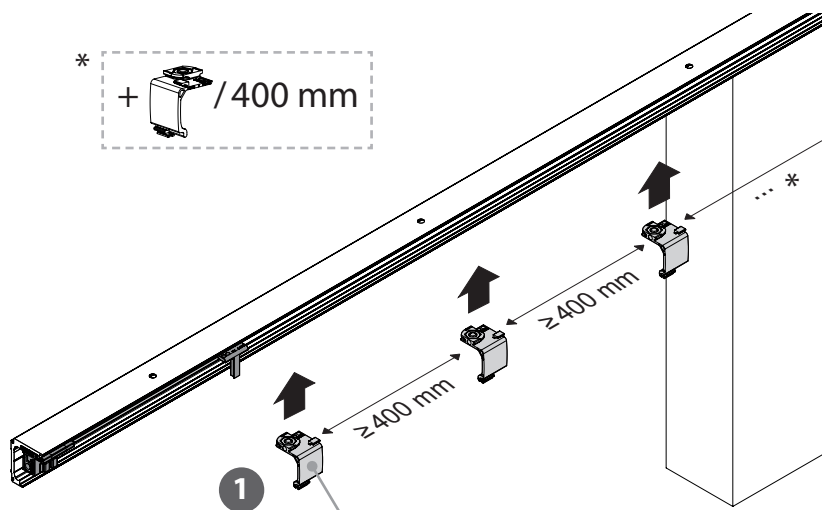
4 mm 13 mm

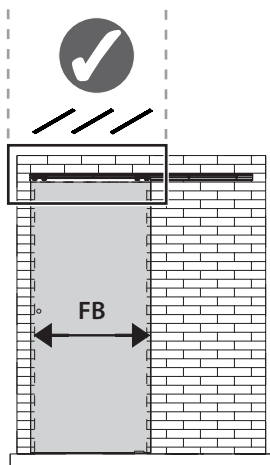
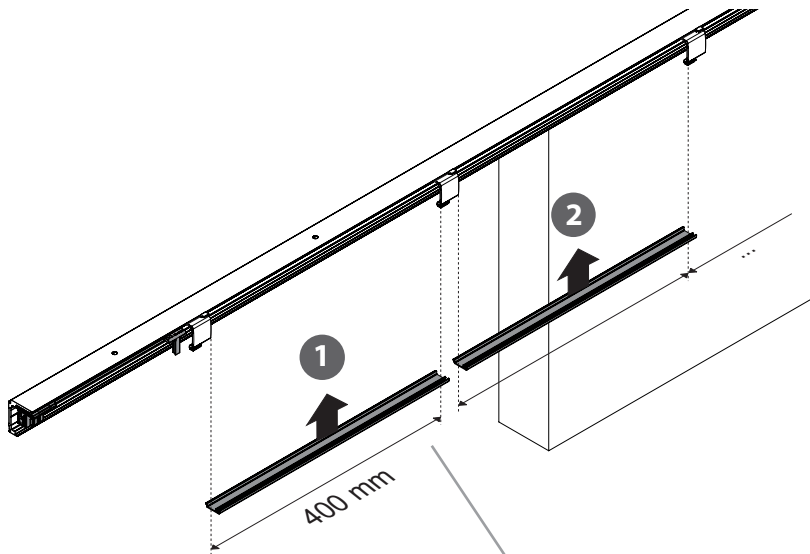
9/10



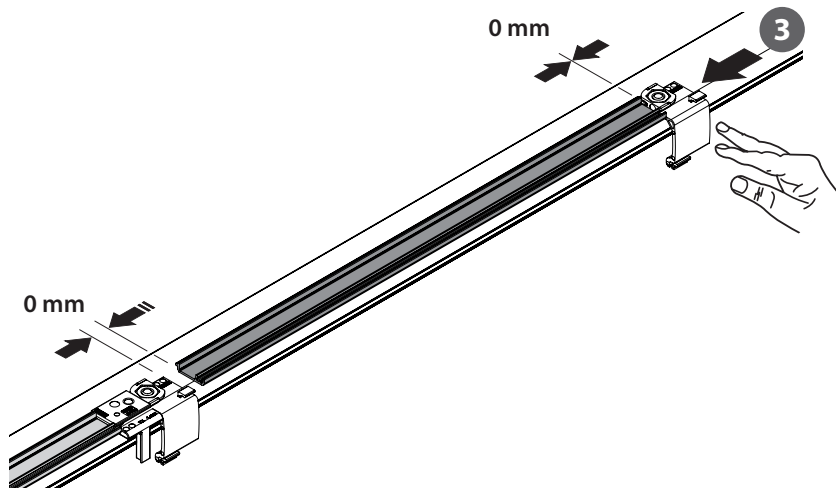




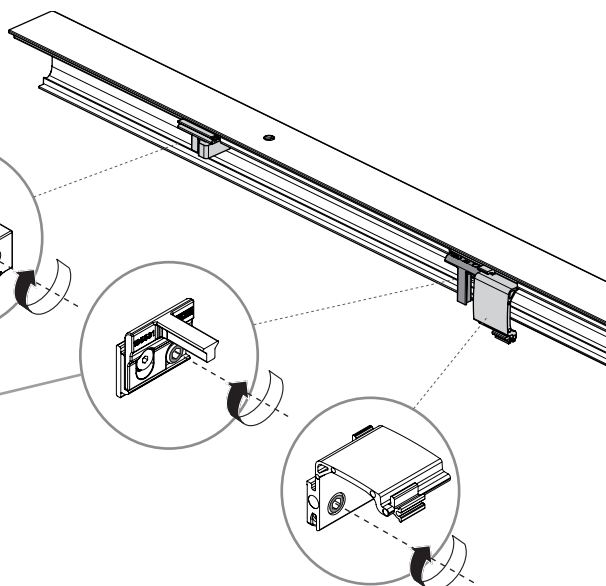




FB [mm]		400 mm
< 500	->	2x
500 - 1000	->	3x
1001-1500	->	4x
>1500	->	5x



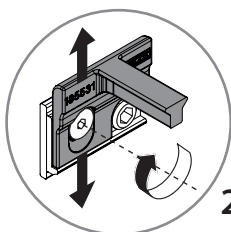
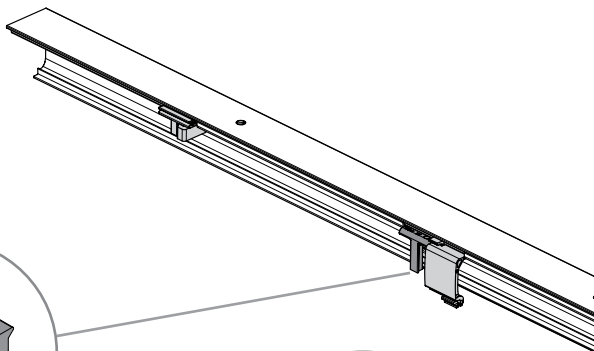
14



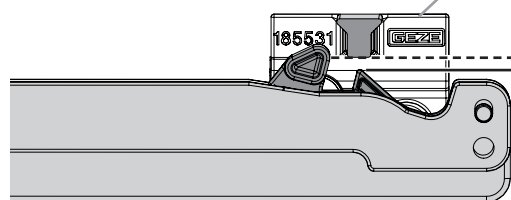
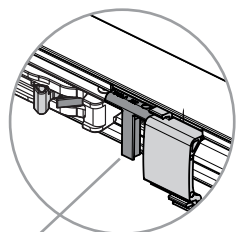
15



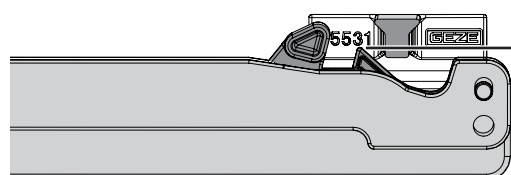
2,5 mm



2 Nm

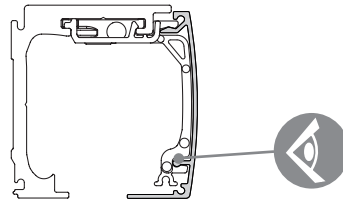
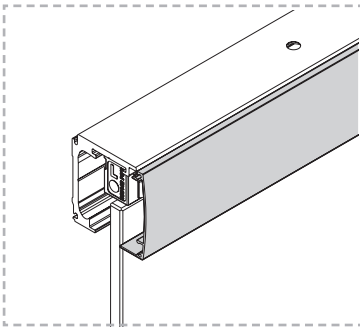
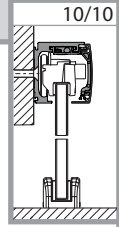
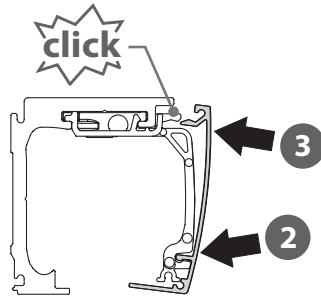
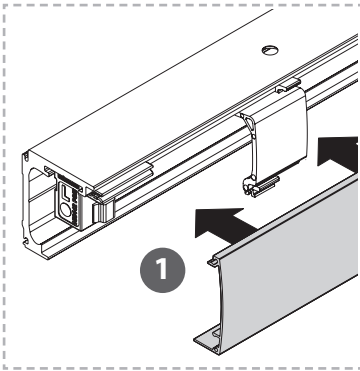


~1 mm

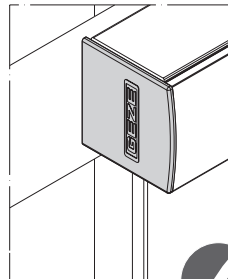
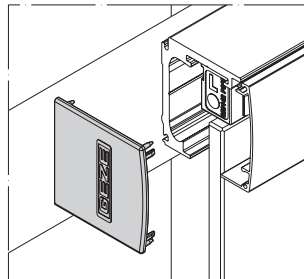
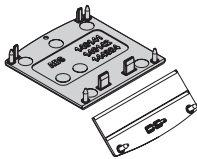


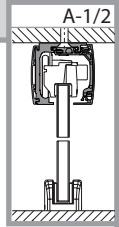
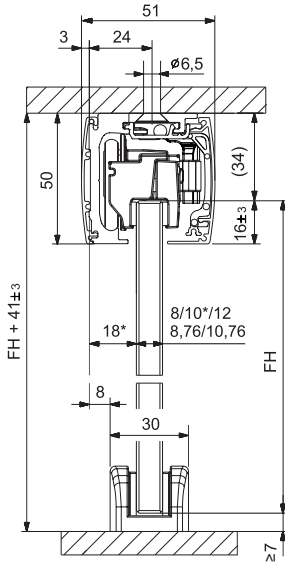
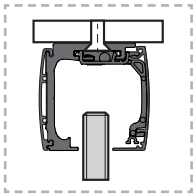
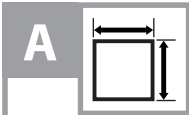
16

10/10



17

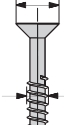




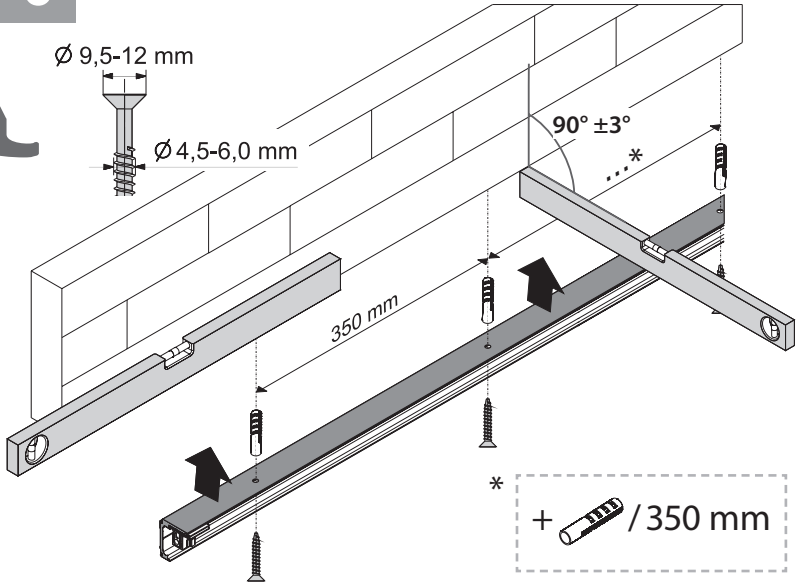
**i+ 6**

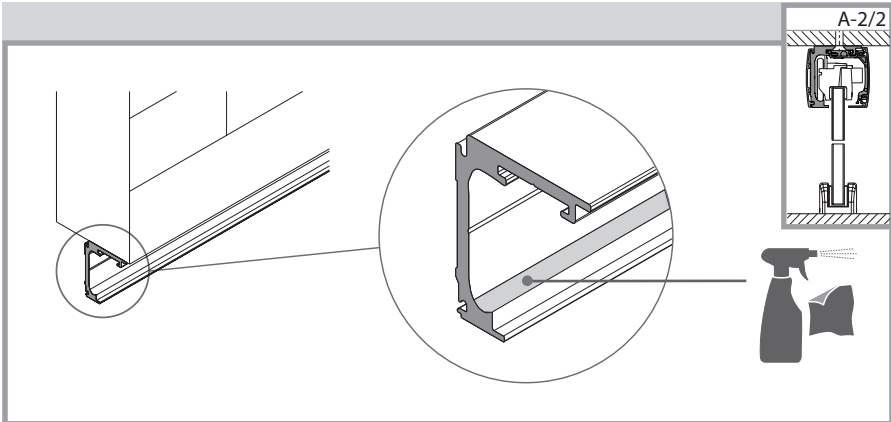


Ø 9,5-12 mm

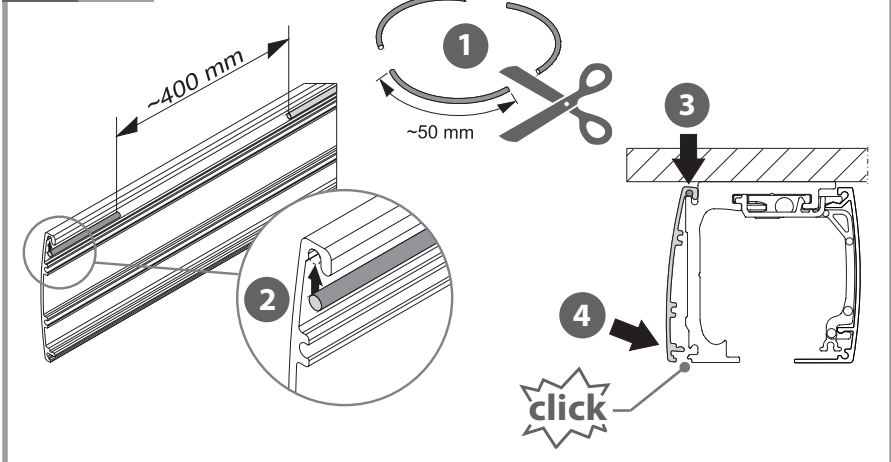


Ø 4,5-6,0 mm

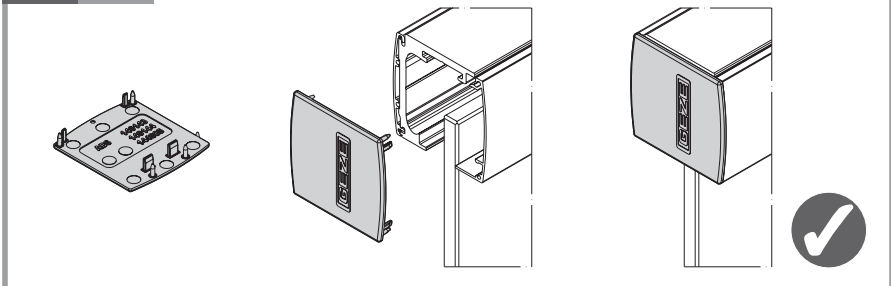




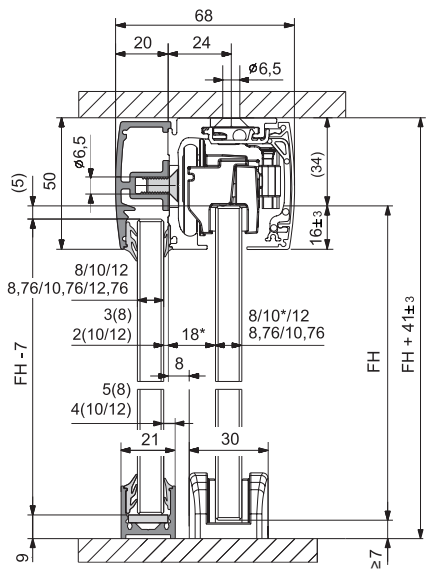
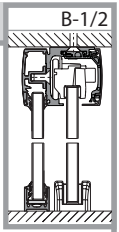
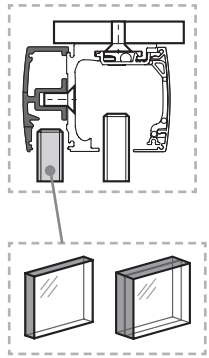
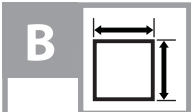
**i+ 16**



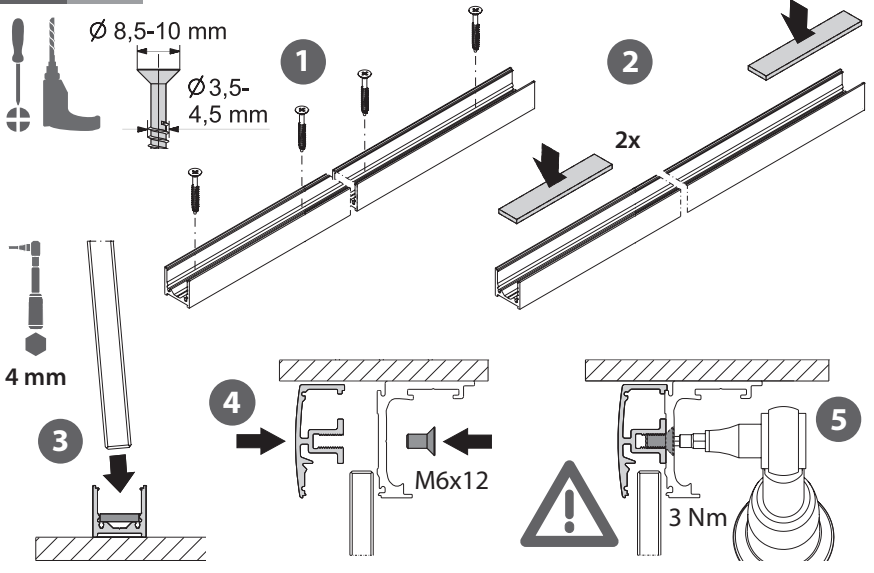
**i+ 17**

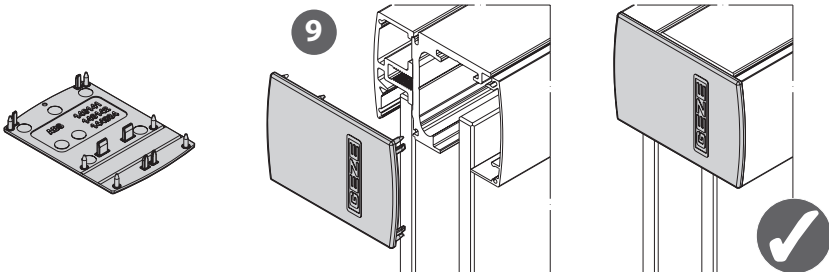
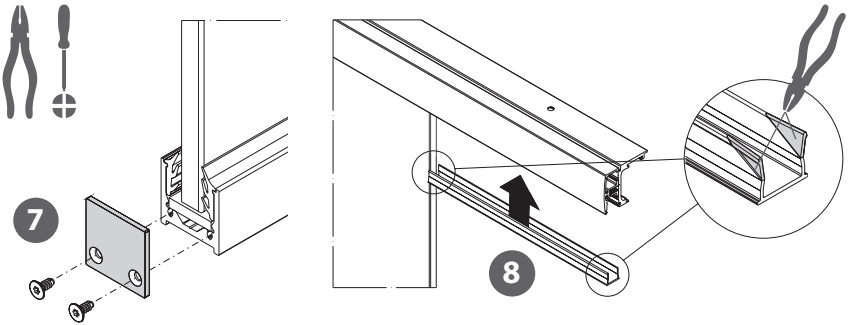
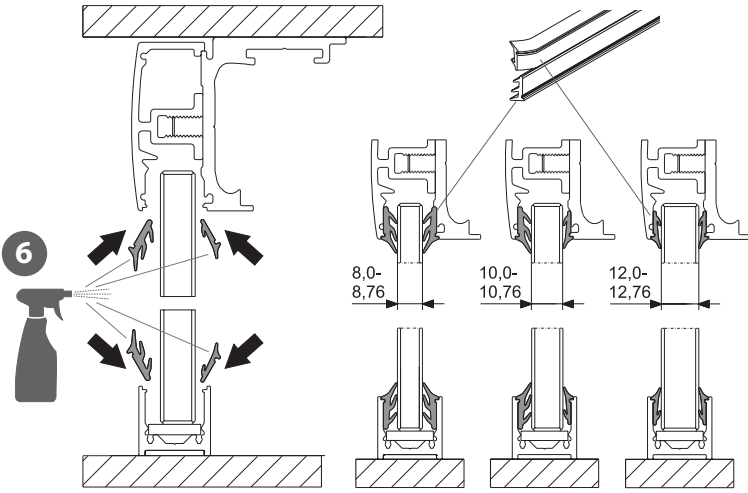


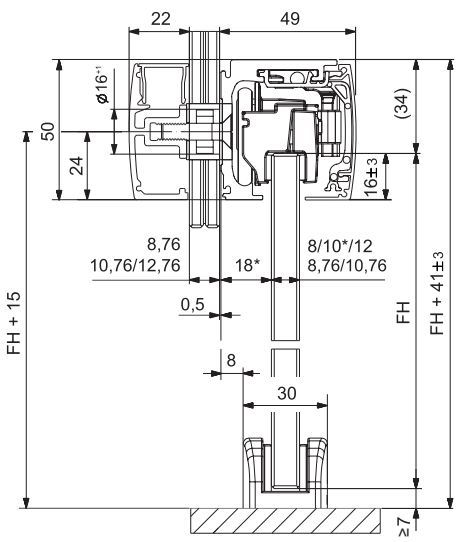
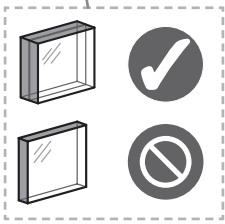
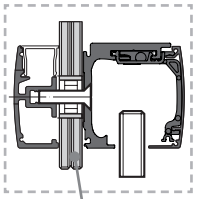
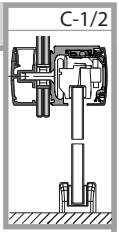




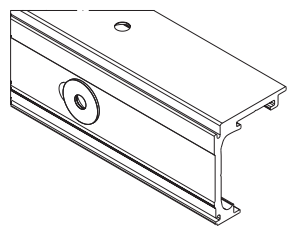
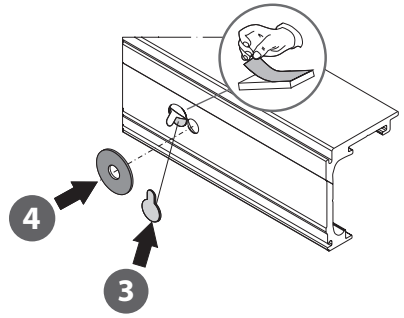
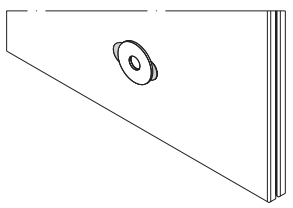
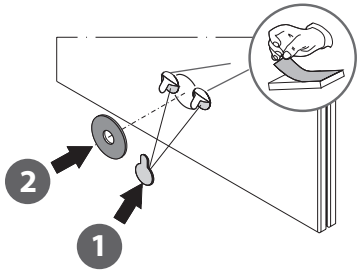
**i + 13**





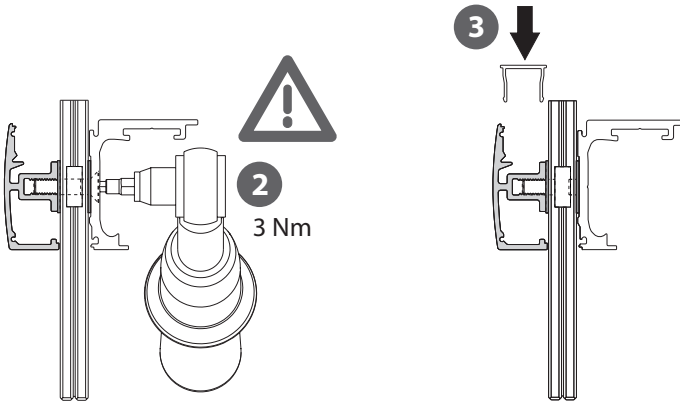
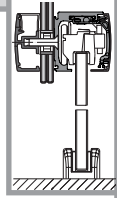
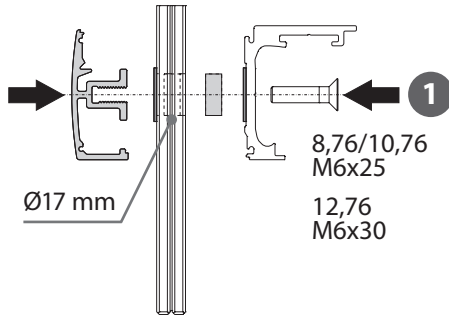


**i+ 6**

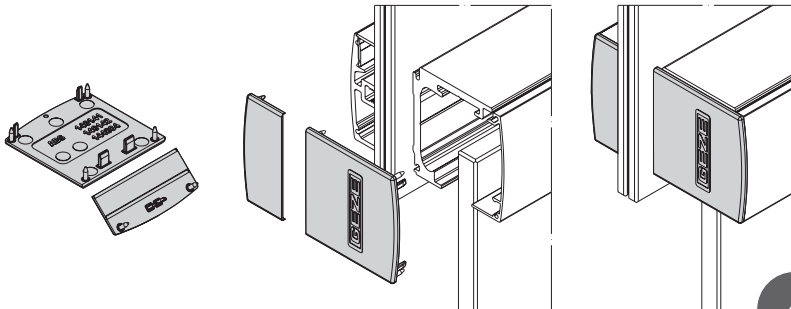




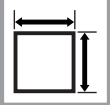
4 mm



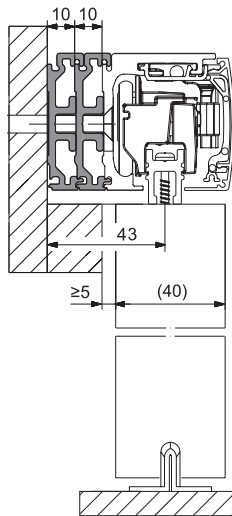
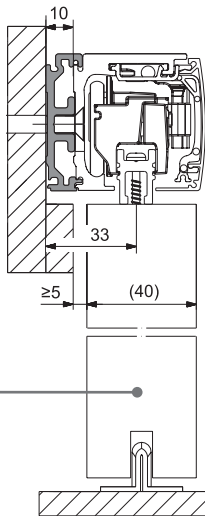
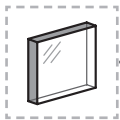
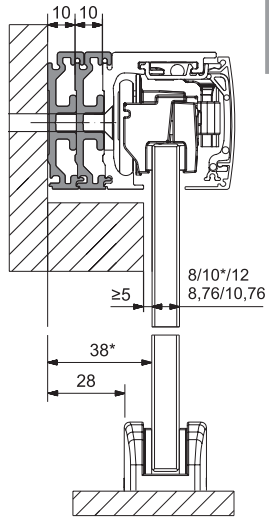
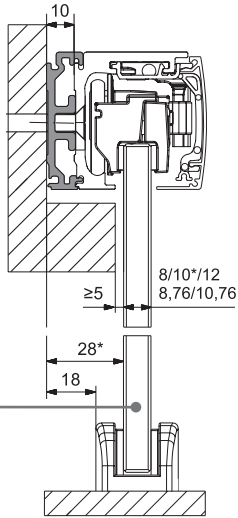
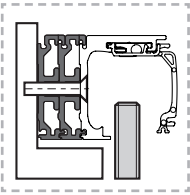
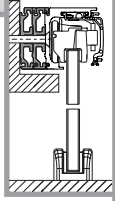
**i+ 17**

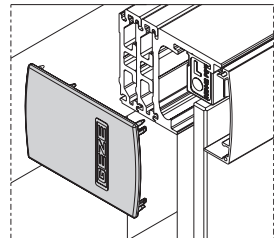
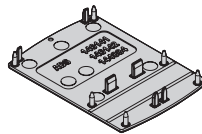
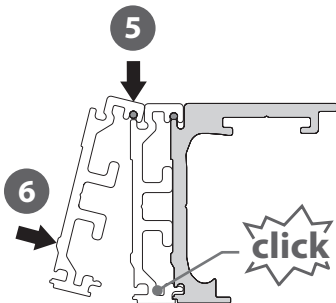
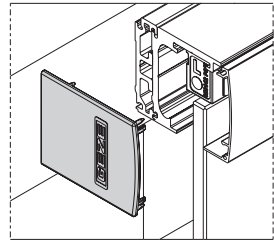
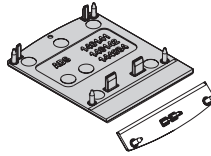
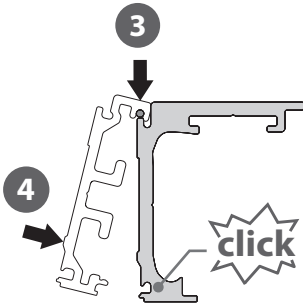
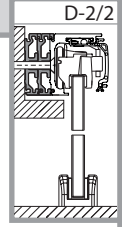
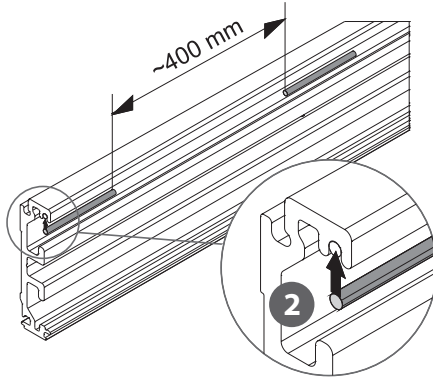
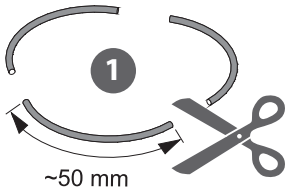


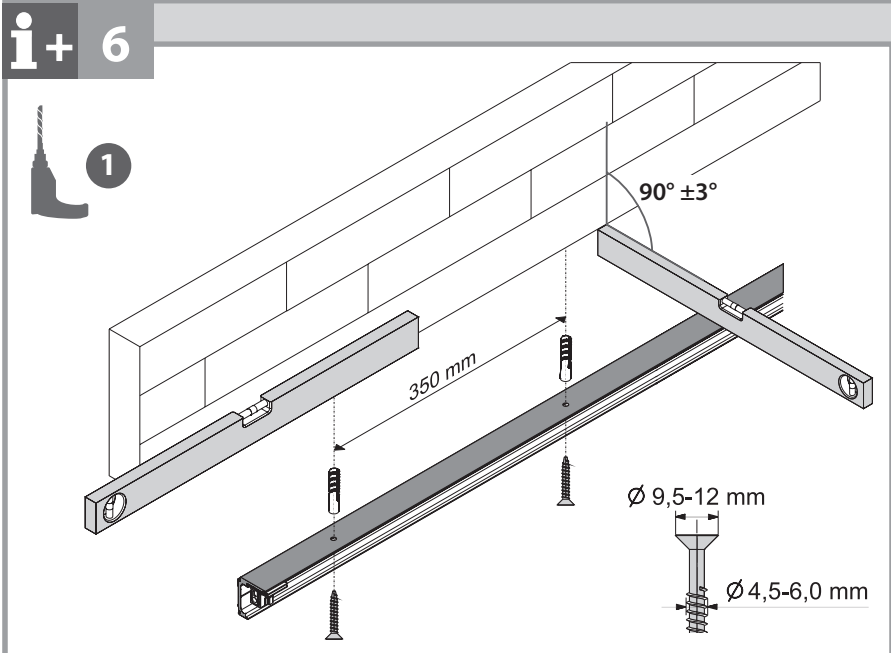
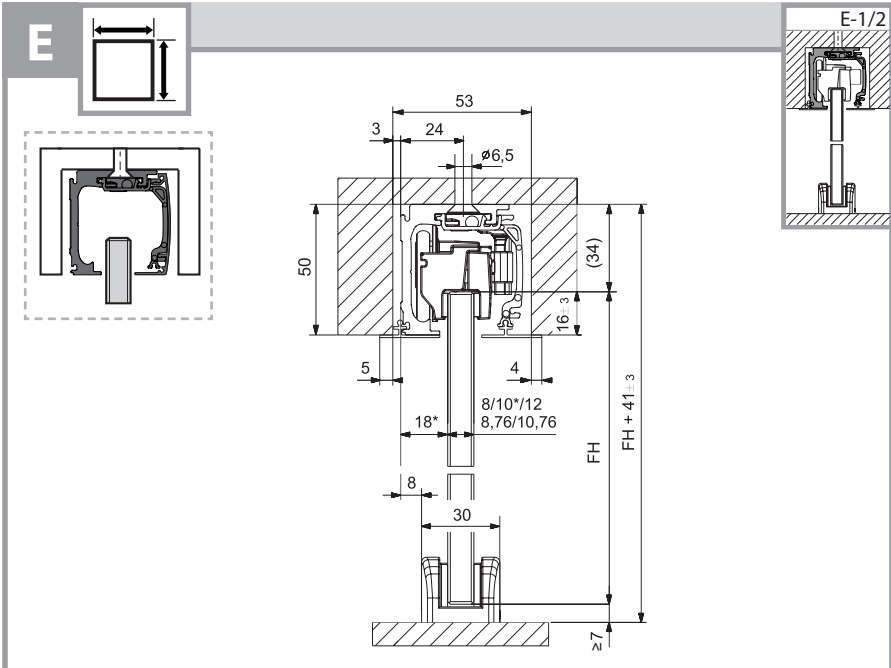
D

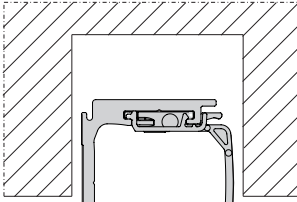


D-1/2





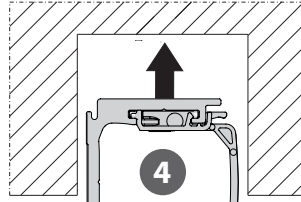




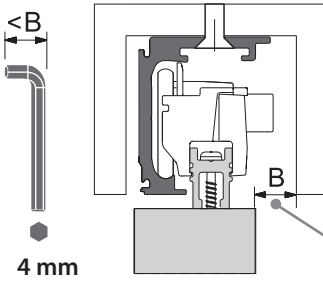
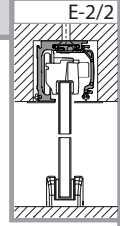
3



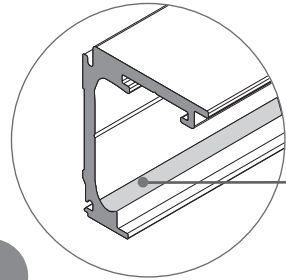
2



4



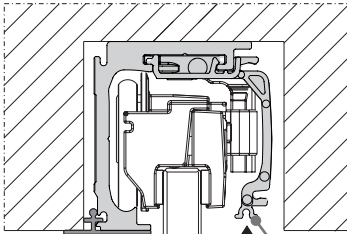
4 mm



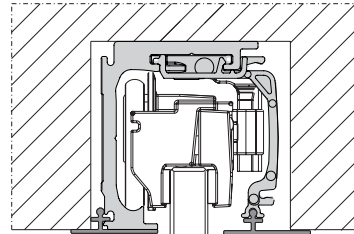
5



i+ 16



click

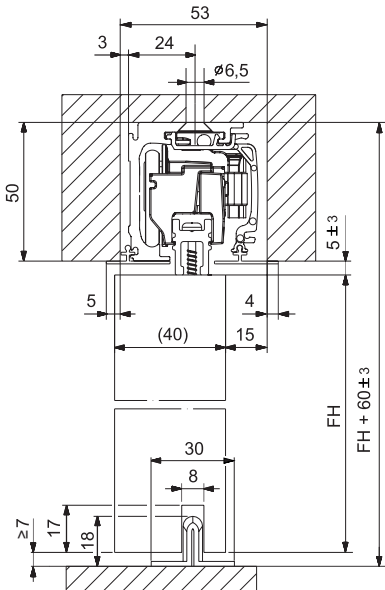
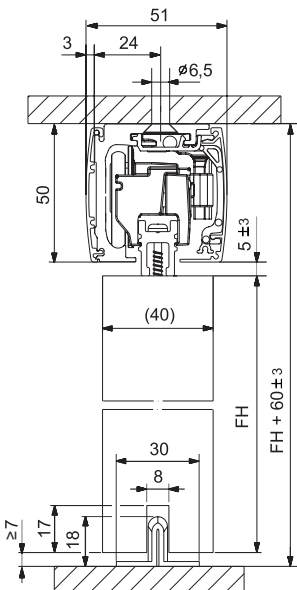
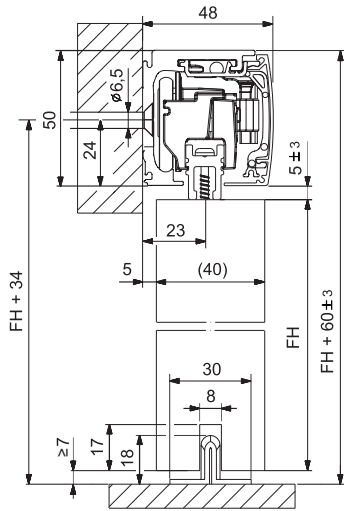
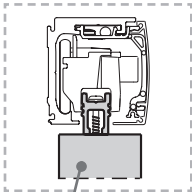




F



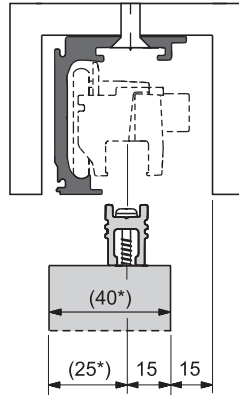
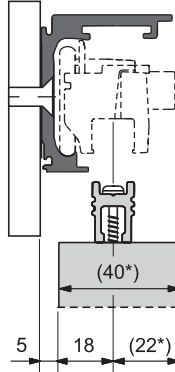
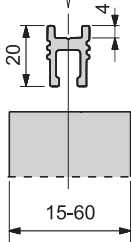
F-1/2



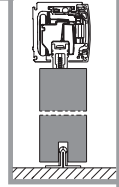
# i+ 4



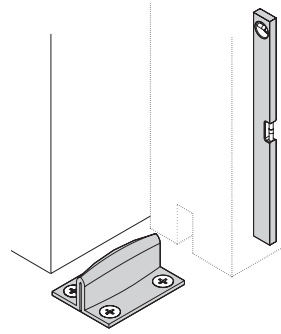
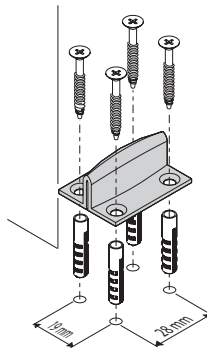
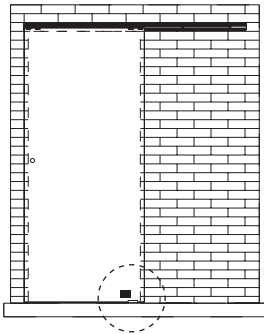
$\varnothing 7-8 \text{ mm}$   
 $\leq \varnothing 4 \text{ mm}$



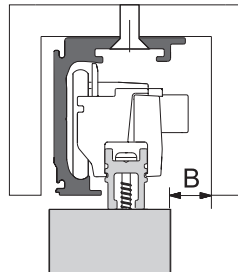
F-2/2



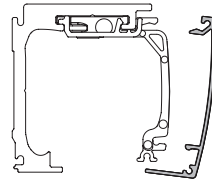
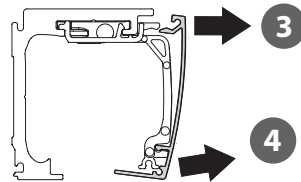
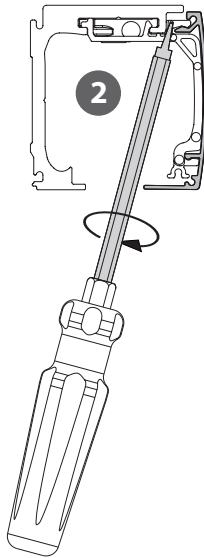
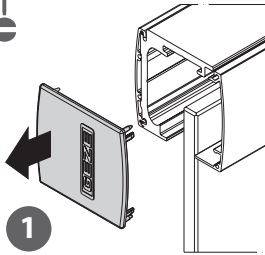
# i+ 7



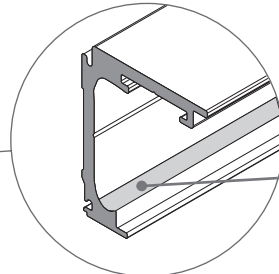
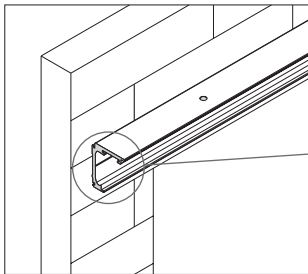
# i+ 10



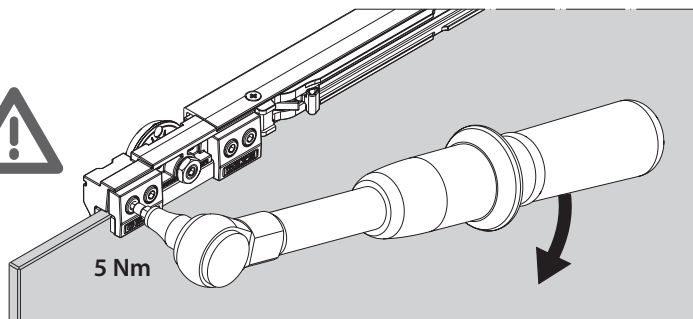
G



1



2

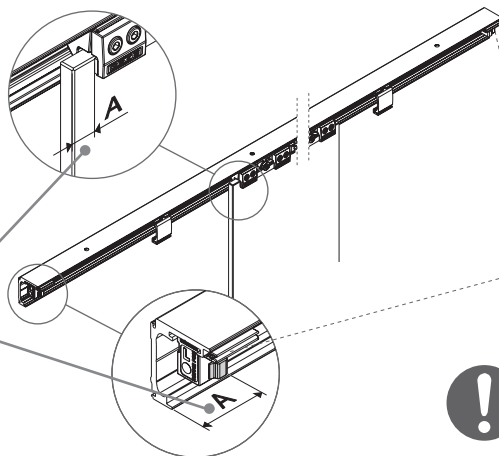


5 Nm

3



1

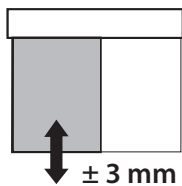


2

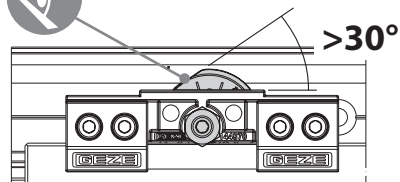


2 Nm

4



± 3 mm



>30°









**Germany**

GEZE GmbH  
Niederlassung Süd-West  
Tel. +49 (0) 7152 203 594  
E-Mail: leonberg.de@geze.com

GEZE GmbH  
Niederlassung Süd-Ost  
Tel. +49 (0) 7152 203 6440  
E-Mail: muenchen.de@geze.com

GEZE GmbH  
Niederlassung Ost  
Tel. +49 (0) 7152 203 6840  
E-Mail: berlin.de@geze.com

GEZE GmbH  
Niederlassung Mitte/Luxemburg  
Tel. +49 (0) 7152 203 6888  
E-Mail: frankfurt.de@geze.com

GEZE GmbH  
Niederlassung West  
Tel. +49 (0) 7152 203 6770  
E-Mail: duesseldorf.de@geze.com

GEZE GmbH  
Niederlassung Nord  
Tel. +49 (0) 7152 203 6600  
E-Mail: hamburg.de@geze.com

GEZE Service GmbH  
Tel. +49 (0) 1802 923392  
E-Mail: service-info.de@geze.com

**Austria**

GEZE Austria  
E-Mail: austria.at@geze.com  
www.geze.at

**Baltic States –**

Lithuania / Latvia / Estonia  
E-Mail: baltic-states@geze.com

**Benelux**

GEZE Benelux B.V.  
E-Mail: benelux.nl@geze.com  
www.geze.be  
www.geze.nl

**Bulgaria**

GEZE Bulgaria - Trade  
E-Mail: office-bulgaria@geze.com  
www.geze.bg

**China**

GEZE Industries (Tianjin) Co., Ltd.  
E-Mail: chinasaless@geze.com.cn  
www.geze.com.cn

GEZE Industries (Tianjin) Co., Ltd.  
Branch Office Shanghai  
E-Mail: chinasaless@geze.com.cn  
www.geze.com.cn

GEZE Industries (Tianjin) Co., Ltd.  
Branch Office Guangzhou  
E-Mail: chinasaless@geze.com.cn  
www.geze.com.cn

GEZE Industries (Tianjin) Co., Ltd.  
Branch Office Beijing  
E-Mail: chinasaless@geze.com.cn  
www.geze.com.cn

**France**

GEZE France S.A.R.L.  
E-Mail: france.fr@geze.com  
www.geze.fr

**Hungary**

GEZE Hungary Kft.  
E-Mail: office-hungary@geze.com  
www.geze.hu

**Iberia**

GEZE Iberia S.R.L.  
E-Mail: info.es@geze.com  
www.geze.es

**India**

GEZE India Private Ltd.  
E-Mail: office-india@geze.com  
www.geze.in

**Italy**

GEZE Italia S.r.l.  
E-Mail: italia.it@geze.com  
www.geze.it

GEZE Engineering Roma S.r.l.  
E-Mail: italia.it@geze.com  
www.geze.it

**Korea**

GEZE Korea Ltd.  
E-Mail: info.kr@geze.com  
www.geze.com

**Poland**

GEZE Polska Sp.z o.o.  
E-Mail: geze.pl@geze.com  
www.geze.pl

**Romania**

GEZE Romania S.R.L.  
E-Mail: office-romania@geze.com  
www.geze.ro

**Russia**

OOO GEZE RUS  
E-Mail: office-russia@geze.com  
www.geze.ru

**Scandinavia – Sweden**

GEZE Scandinavia AB  
E-Mail: sverige.se@geze.com  
www.geze.se

**Scandinavia – Norway**

GEZE Scandinavia AB avd. Norge  
E-Mail: norge.se@geze.com  
www.geze.no

**Scandinavia – Denmark**

GEZE Danmark  
E-Mail: danmark.se@geze.com  
www.geze.dk

**Singapore**

GEZE (Asia Pacific) Pte, Ltd.  
E-Mail: gezesea@geze.com.sg  
www.geze.com

**South Africa**

GEZE South Africa (Pty) Ltd.  
E-Mail: info@gezesa.co.za  
www.geze.co.za

**Switzerland**

GEZE Schweiz AG  
E-Mail: schweiz.ch@geze.com  
www.geze.ch

**Turkey**

GEZE Kapi ve Pencere Sistemleri  
E-Mail: office-turkey@geze.com  
www.geze.com

**Ukraine**

LLC GEZE Ukraine  
E-Mail: office-ukraine@geze.com  
www.geze.ua

**United Arab Emirates/GCC**

GEZE Middle East  
E-Mail: gezeme@geze.com  
www.geze.ae

**United Kingdom**

GEZE UK Ltd.  
E-Mail: info.uk@geze.com  
www.geze.com

**GEZE GmbH**

Reinhold-Vöster-Straße 21–29  
71229 Leonberg  
Germany

Tel.: 0049 7152 203 0  
Fax: 0049 7152 203 310  
www.geze.com

