

TS 1000 C



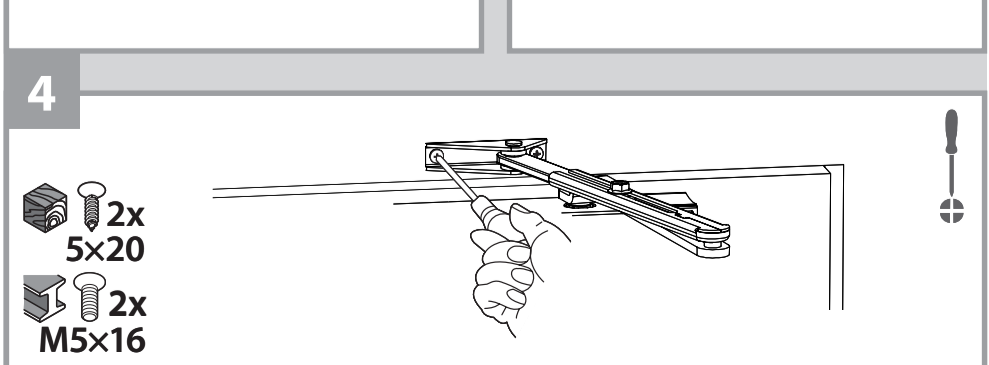
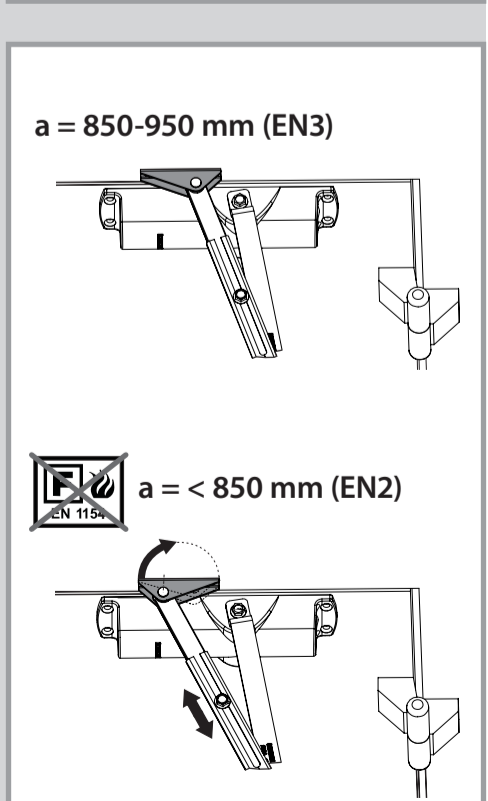
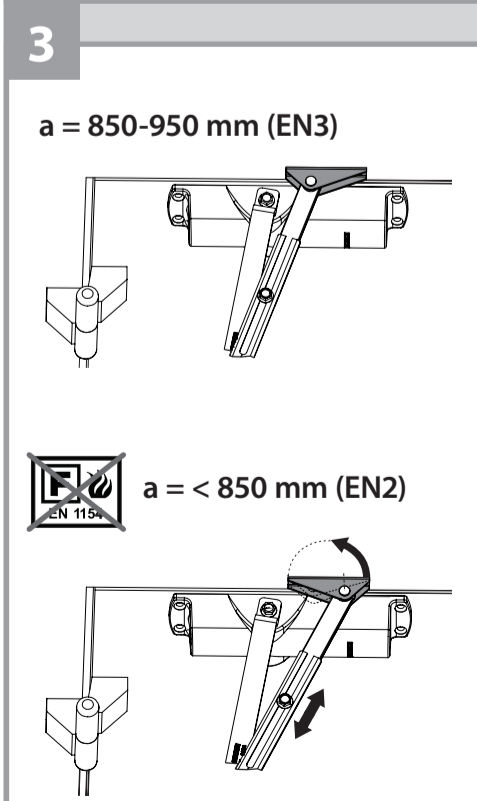
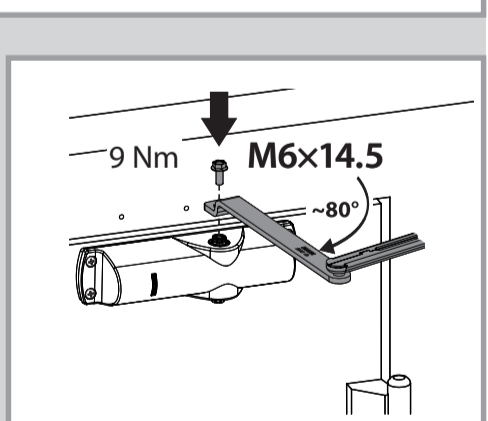
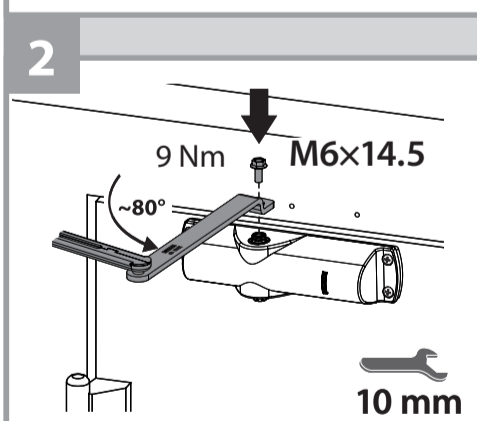
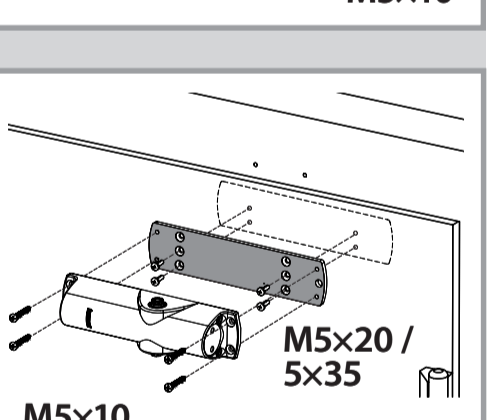
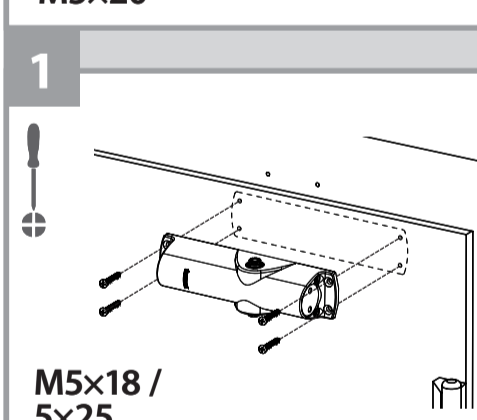
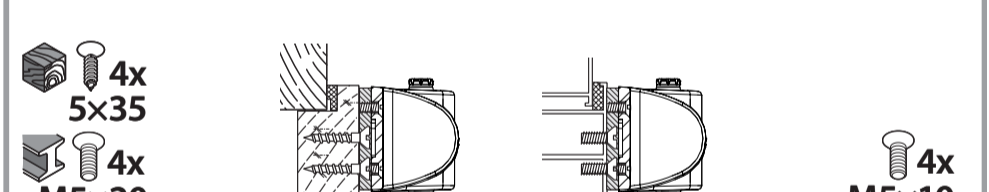
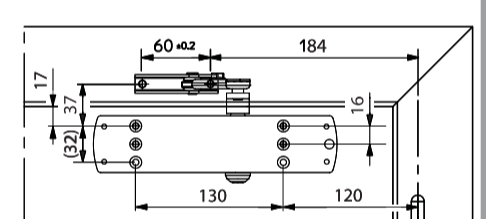
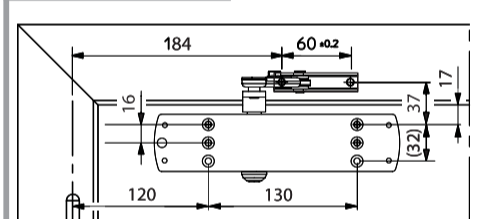
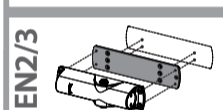
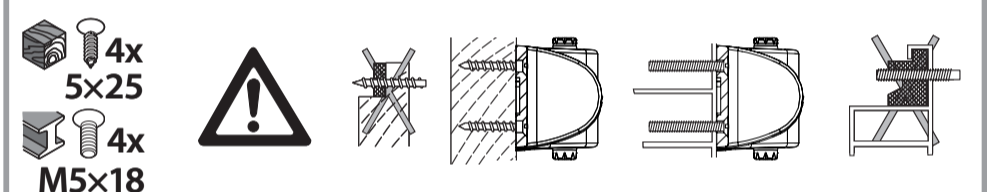
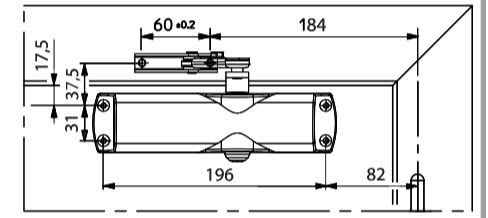
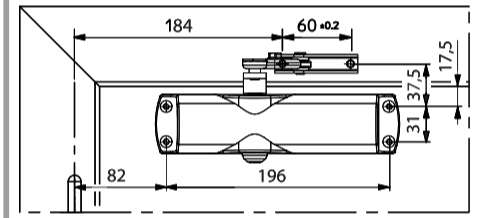
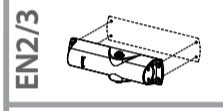
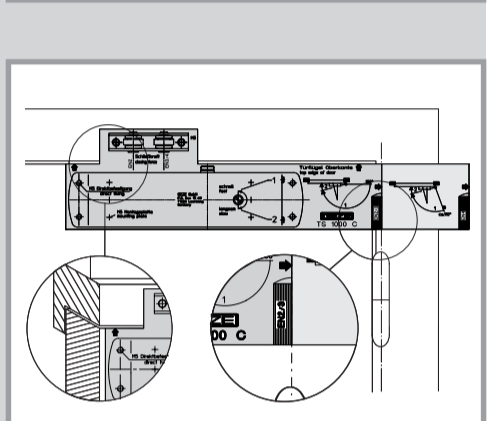
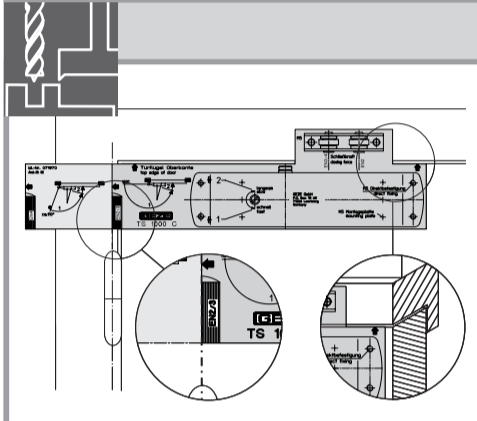
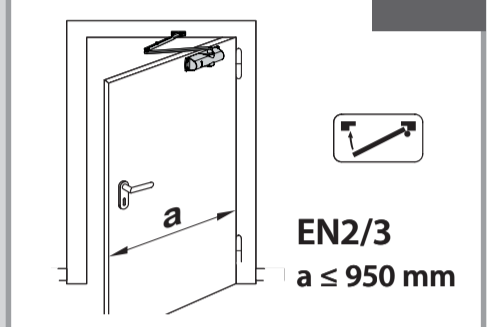
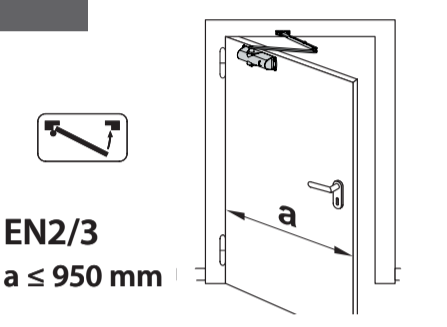
101833-08

GEZE

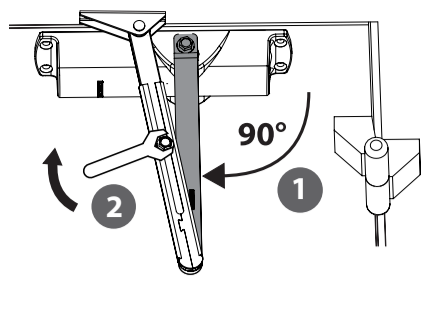
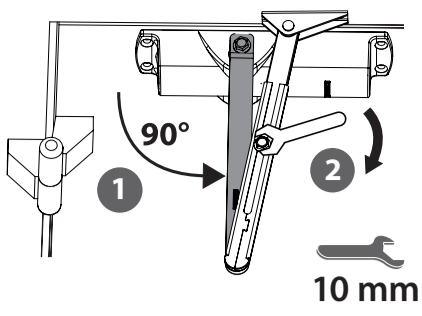


A

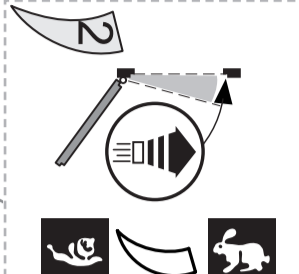
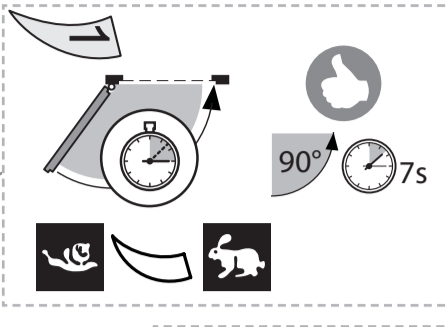
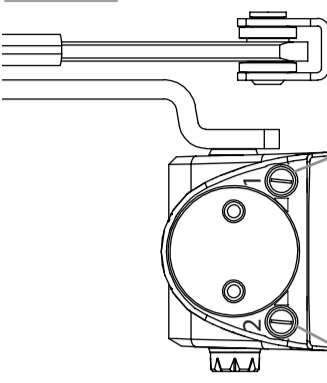
B



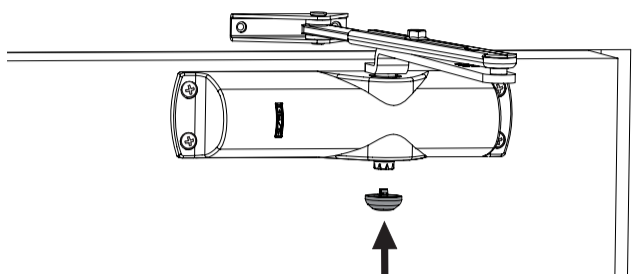
5



6

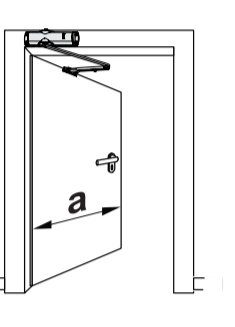


7

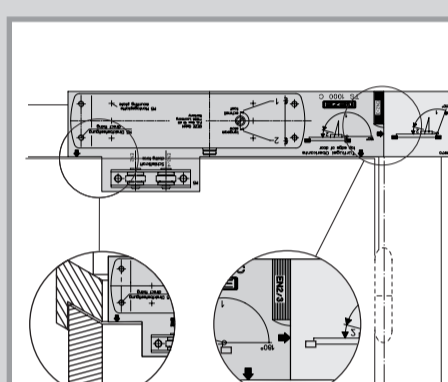
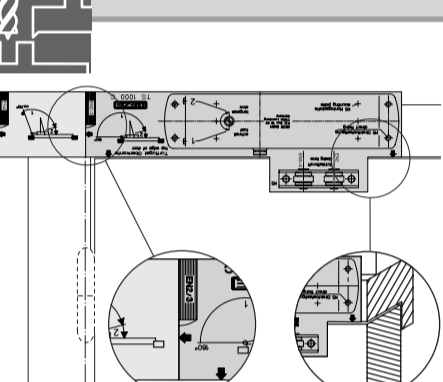
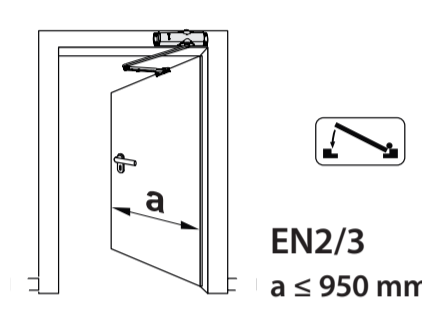


i

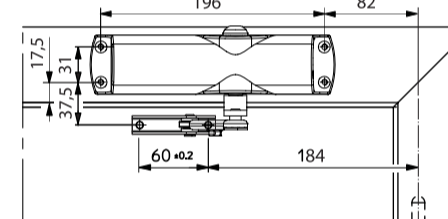
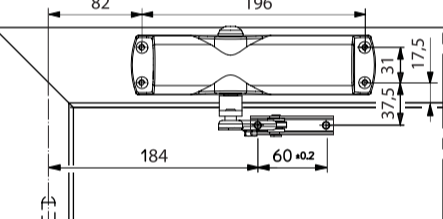
EN2/3
a ≤ 950 mm



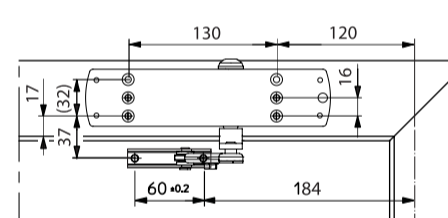
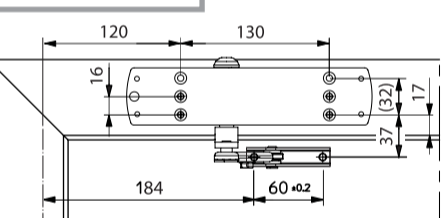
EN2/3
a ≤ 950 mm



EN2/3

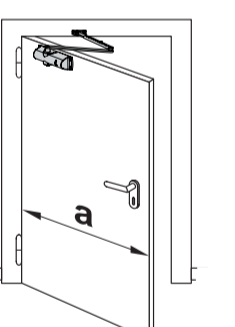


EN2/3

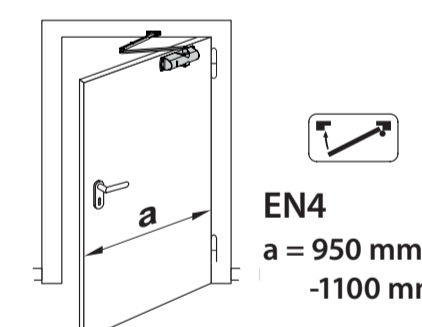


i

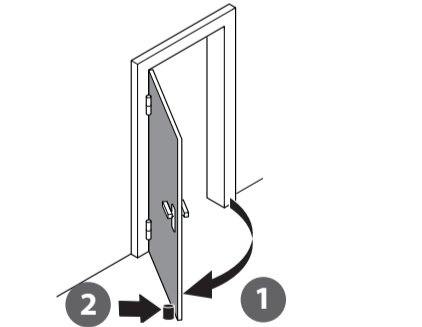
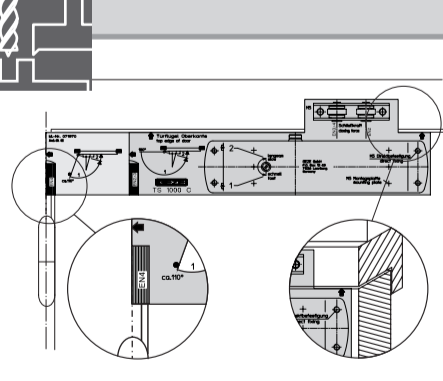
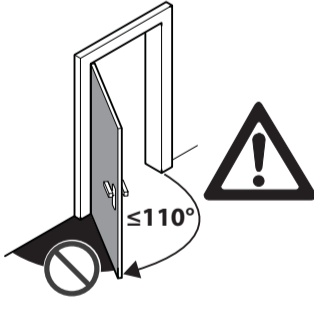
EN4
a = 950 mm
-1100 mm



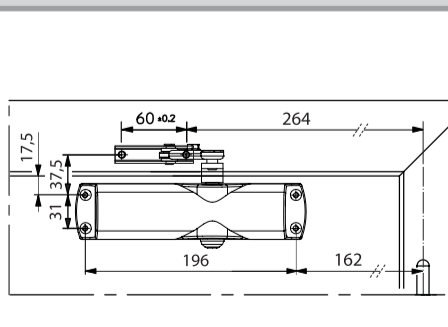
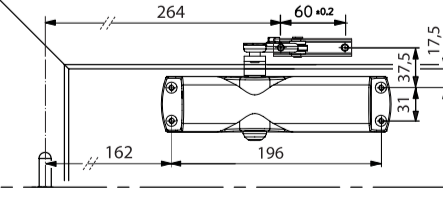
EN4
a = 950 mm
-1100 mm



i+



EN4



EN4

